

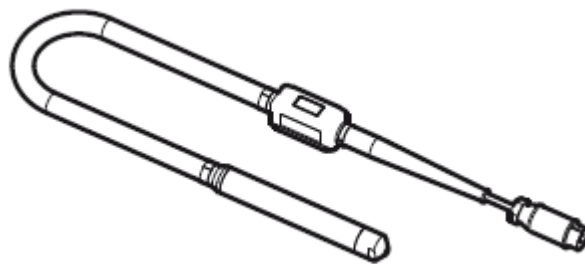
# AX 36,40,48,56,65,90,28E,40E,48E,56E

---

## Spare parts list

### Poker vibrators

AX 36,40,48,56,65,90,28E,40E,48E,56E



# General information

This spare parts list applies to the following:

Part number	Description
967858001	POKERS AX 40 42 V   3 Phase   200 Hz
967858101	POKERS AX 48 42 V   3 Phase   200 Hz
967858102	POKERS AX 48 42 V   3-Phase   200 Hz   W. 8 MT
967858103	POKERS AX 48 42 V   3-Phase   200 Hz   W. 10 M
967858201	POKERS AX 56 42 V   3 Phase   200 Hz
967858202	POKERS AX 56 42 V   3-Phase   200 Hz   W. 8 M
967858203	POKERS AX 56 42 V   3-Phase   200 Hz   W. 10 M
967858301	POKERS AX 65 42 V   3 Phase   200 Hz
967858401	POKERS AX 40 E 42 V   3 Phase   200 Hz
967858501	POKERS AX 48 E 42 V   3 Phase   200 Hz
967857901	POKERS AX 36 42 V   3 Phase   200 Hz   5 M
967858601	POKERS AX 56 E 42 V   3 Phase   200 Hz
967940001	POKERS AX 90 42 V   3-Phase   200 Hz

Use only authorized parts. Any damage or malfunction caused by the use of unauthorized parts is not covered by Warranty or Product Liability. Any unauthorized use or copying of the contents or any part thereof is prohibited. This applies in particular to trademarks, model denominations, part numbers, and drawings.

## Instructions for use

This spare parts list contains no safety regulations and is merely intended to assist in the ordering of spare parts.

For information about operating, servicing, or repairing, the relevant Safety and operating instructions must be consulted at all costs.

Please observe the safety instructions listed in the relevant Safety and operating instructions!

## Spare parts list

AX36 42V-3-200Hz	1
AX40 42V-3-200Hz	3
AX48 42V-3-200Hz	6
AX56 42V-3-200Hz	10
AX65 42V-3-200Hz	14
AX90 42V-3-200Hz	18
AX28E 42V-3-200Hz	21
AX40E 42V-3-200Hz	23
AX48E 42V-3-200Hz	26
AX56E 42V-3-200Hz	30
AX36 42V-3-200Hz Rigid cane	34
AX40 42V-3-200Hz Rigid cane	38
AX48 42V-3-200Hz Rigid cane	42
AX56 42V-3-200Hz Rigid cane	46
Vibrating element AX28E	50
Vibrating element AX36	53
Vibrating element AX40 and AX40E	55
Vibrating element AX48 - AX48E	57
Vibrating element AX56 - AX56E	59
Vibrating element AX65	61
Vibrating element AX90	63
Vibrating element AX36 rigid cane option	65
Vibrating element AX40 rigid cane option	67
Vibrating element AX48 rigid cane option	69
Vibrating element AX56 rigid cane option	71

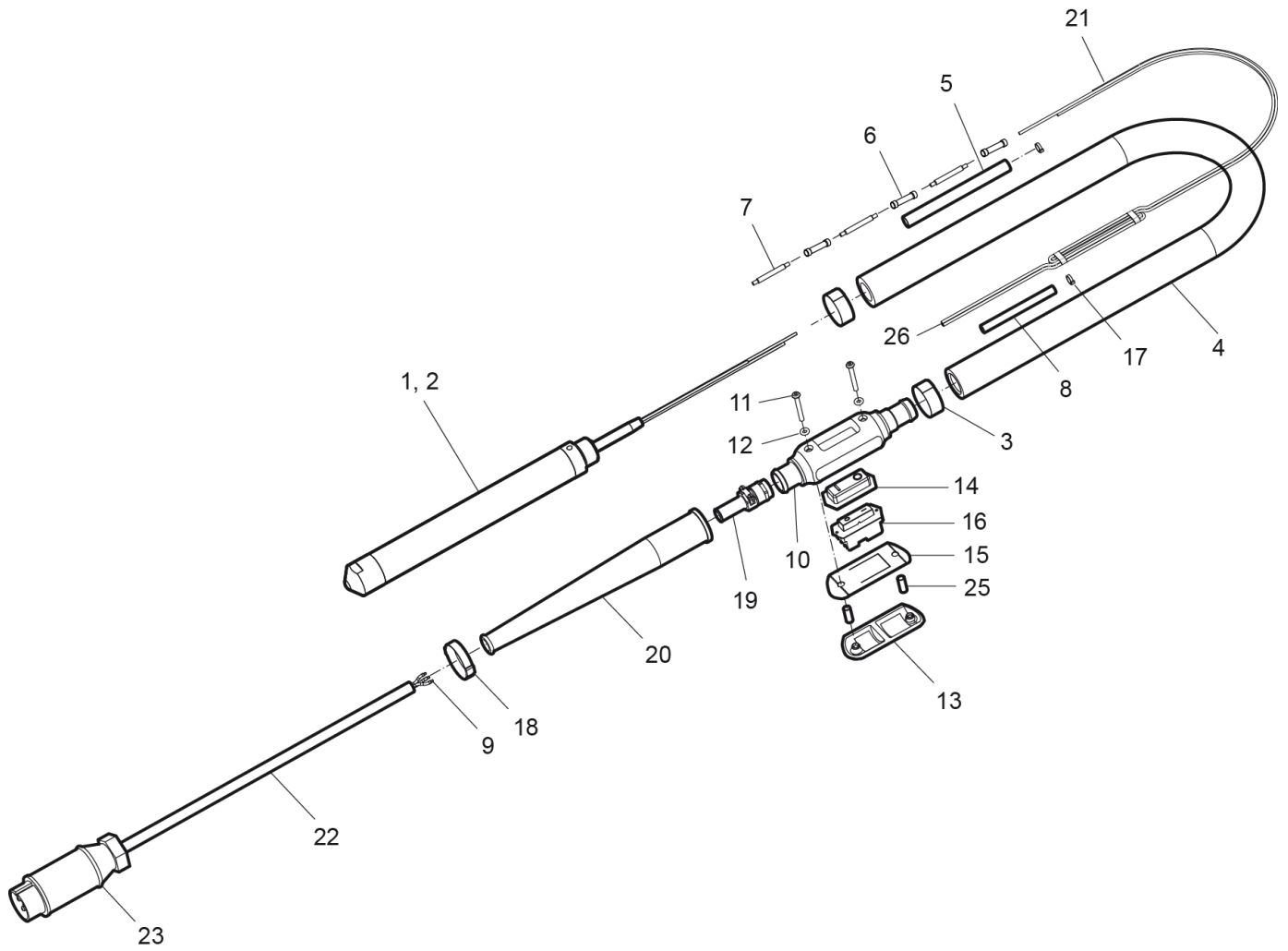
## Maintenance kits

Maintenance kit AX36/40 and AX36/40 rigid cane option	73
Maintenance kit AX48/56/65 & AX48/56/65 rigid cane option	75
Maintenance kit for switch box AX90	77
Switch box cpl AX36 and AX36 rigid cane option	79
Switch box cpl AX40 and AX40 rigid cane option	81
Switch Box cpl AX48/56/65 & AX48/56/65 rigid cane option	83
Switch Box complete AX90	85
Switch Complete AX36/40	87
Switch complete AX48/56/65	89
Switch Complete AX90	91
Vibrating head kit AX36 and AX36 rigid cane option	93
Vibrating head kit AX40 and AX40 rigid cane option	95
Vibrating head kit AX48 and AX48 rigid cane option	97
Vibrating head kit AX56 and AX56 rigid cane option	99
Vibrating head kit AX65	101
Vibrating Head Kit AX90	103

## Accessories

Welded tube AX48	105
------------------	-----

Spare parts list AX36 42V-3-200Hz



Refer to the Parts Online web page for most up-to-date information. The printed information might be outdated.

Item	Part No.	Name	Qty	L
1	594616601	Vibrating element	1	A
2	595195601	Vibrating element	1	B
3	594281701	Clamp	2	
4	594859601	Hose	1	C
5	594257101	Protective hose, 0.08 m , 3.1 in., Sold per meter.	1	
6	595118501	Splicing sleeve	3	
7	594257501	Thermo insulating	3	
8	594257101	Protective hose, 0.08 m , 3.1 in., Sold per meter.	1	
9	594257701	Wire end	6	
10	595932801	Switch box	1	
11	594615701	Screw	2	
12	595117501	O-ring	2	
13	594630601	Cover	1	
14	594615601	Rubber membrane	1	
15	594615501	Rubber gasket	1	
16	594630401	Switch	1	
17	594286401	Clamp	4	
18	594255201	Clamp	1	
19	594619301	Gland	1	
20	594256801	Flexible sheeting	1	
21	594287701	Wire	1	
22	595468901	Cable	1	D
23	594604701	Plug	1	
25	594623101	Hose	2	
26	595145901	Wire end	3	

Comments for Page: AX36 42V-3-200Hz

(L)OCAL REMARKS

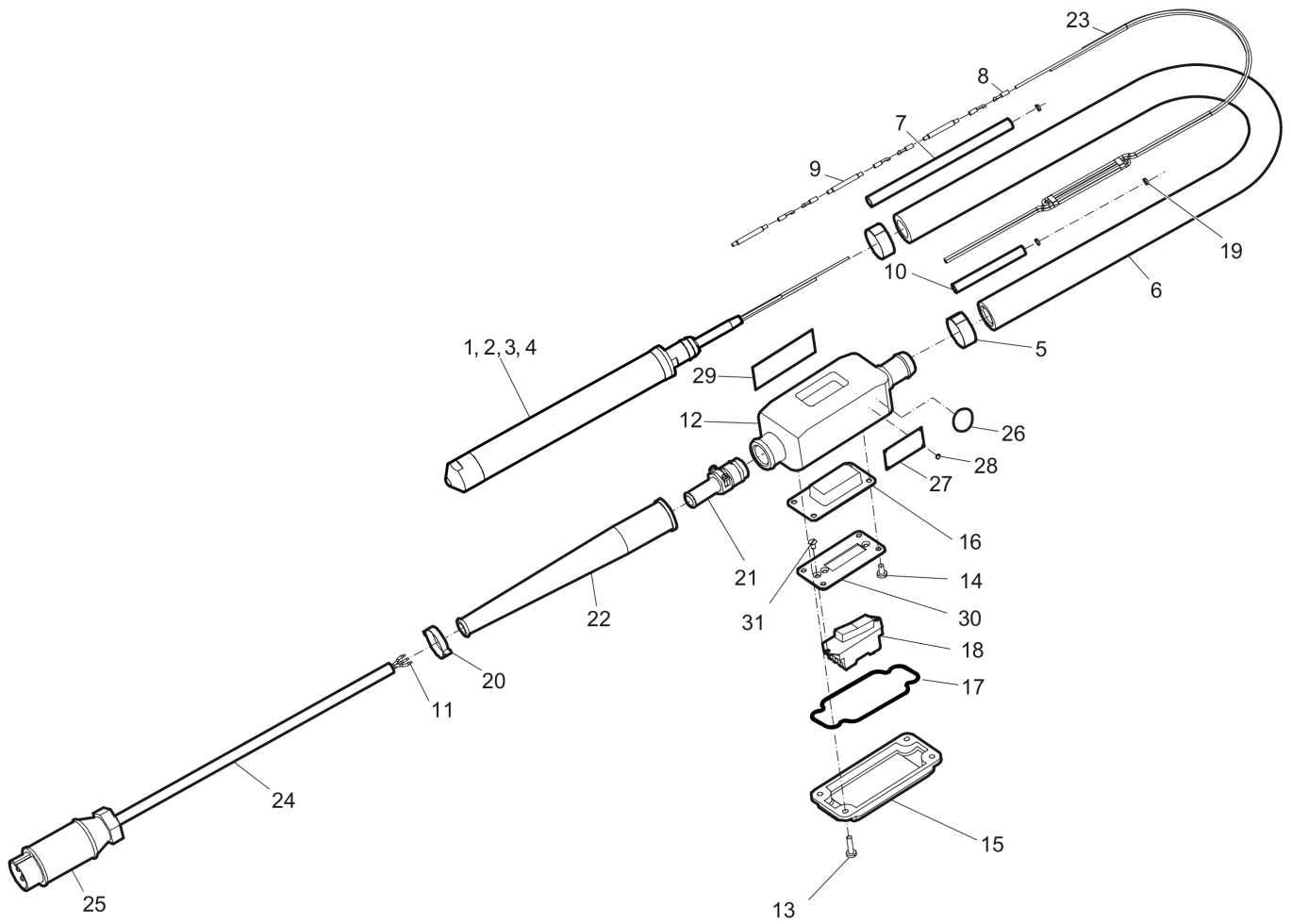
A | Standard

B | Rubber end cap

C | L= 5 m, L= 16.4 ft. Sold by meter.

D | L= 10 m, L= 32.8 ft.

Spare parts list AX40 42V-3-200Hz



Refer to the Parts Online web page for most up-to-date information. The printed information might be outdated.

Item	Part No.	Name	Qty	L
1	594396701	Vibrating element	1	A
2	594619701	Vibrating element	1	B
3	595459901	Vibrating element	1	C
4	595477701	Vibrating element	1	D
5	594281701	Clamp	2	
6	594388401	Hose	1	E
7	594254901	Hose	1	
8	595118501	Splicing sleeve	3	
9	594257501	Thermo insulating	3	
10	594257101	Protective hose, 0.08 m , 3.1 in., Sold per meter.	1	
11	594257701	Wire end	9	
12	594962001	Box	1	
13	594121401	Screw, C S M5 x 20 mm CL4.8 (DIN84A)	2	
14	595350401	Screw, C S M5 x 10 mm CL4.8 (DIN84A)	2	
15	594630901	Cover	1	
16	594631001	Membrane	1	
17	594631101	Gasket	1	
18	594371201	Switch 220V	1	
19	594286401	Clamp	4	
20	594255201	Clamp	1	
21	594631301	Gland	2	
22	594256801	Flexible sheeting	1	
23	594287801	Wire	1	
24	595468901	Cable	1	F
25	594604701	Plug	1	
26	595504901	Label	1	
27	-	Data plate (Not available separately)	1	
28	595141401	Drive screw	4	
29	595473201	Label	1	
30	594631201	Holder	1	
31	-	Screw, F S M4 x 8 mm CL4.8 (DIN963A)	2	

Comments for Page: AX40 42V-3-200Hz

(L)OCAL REMARKS

A | Standard

B | Rubber end cap

C | High amplitude

Refer to the Parts Online web page for most up-to-date information. The printed information might be outdated.

D | High amplitude + rubber end cap

E | L= 5 m

L= 16.4 ft. Sold by meter

F | L= 10 m

L= 32.8 ft.



This page intentionally left blank



Item	Part No.	Name	Qty	L
1	594396801	Vibrating element	1	A
2	595195701	Vibrating element	1	B
3	595162901	Vibrating element	1	C
4	-	Vibrating element	1	D
5	594281701	Clamp	2	
6	594388401	Hose	1	E
7	594254901	Hose	1	
8	595118501	Splicing sleeve	3	
9	594257501	Thermo insulating	3	
10	594257101	Protective hose, 0.08 m , 3.1 in., Sold per meter.	1	F
11	594257701	Wire end	3	
12	594962001	Box	1	
13	594121401	Screw, C S M5 x 20 mm CL4.8 (DIN84A)	4	
14	595350401	Screw, C S M5 x 10 mm CL4.8 (DIN84A)	4	
15	594630901	Cover	1	
16	594631001	Membrane	1	
17	594631101	Gasket	1	
18	594552401	Switch	1	
19	594631201	Holder	1	
20	-	Screw, F S M4 x 8 mm CL4.8 (DIN963A)	2	
21	594286401	Clamp	4	
22	594253801	Clamp	1	
23	594631301	Gland	2	
24	594256801	Flexible sheeting	1	
25	594287801	Wire	1	
26	594528901	Cable	1	G
27	594604701	Plug	1	
28	595504901	Label	1	H
29	595142101	Terminal	6	
30	-	Data plate (Not available separately)	1	
31	595141401	Drive screw	4	
32	595473201	Label	1	

Comments for Page: AX48 42V-3-200Hz

(L)OCAL REMARKS

A | Standard

B | Rubber end cap

Refer to the Parts Online web page for most up-to-date information. The printed information might be outdated.

C | High amplitude

D | High amplitude + rubber end cap

E | L = 5 m (16.4 ft.) Sold by meter

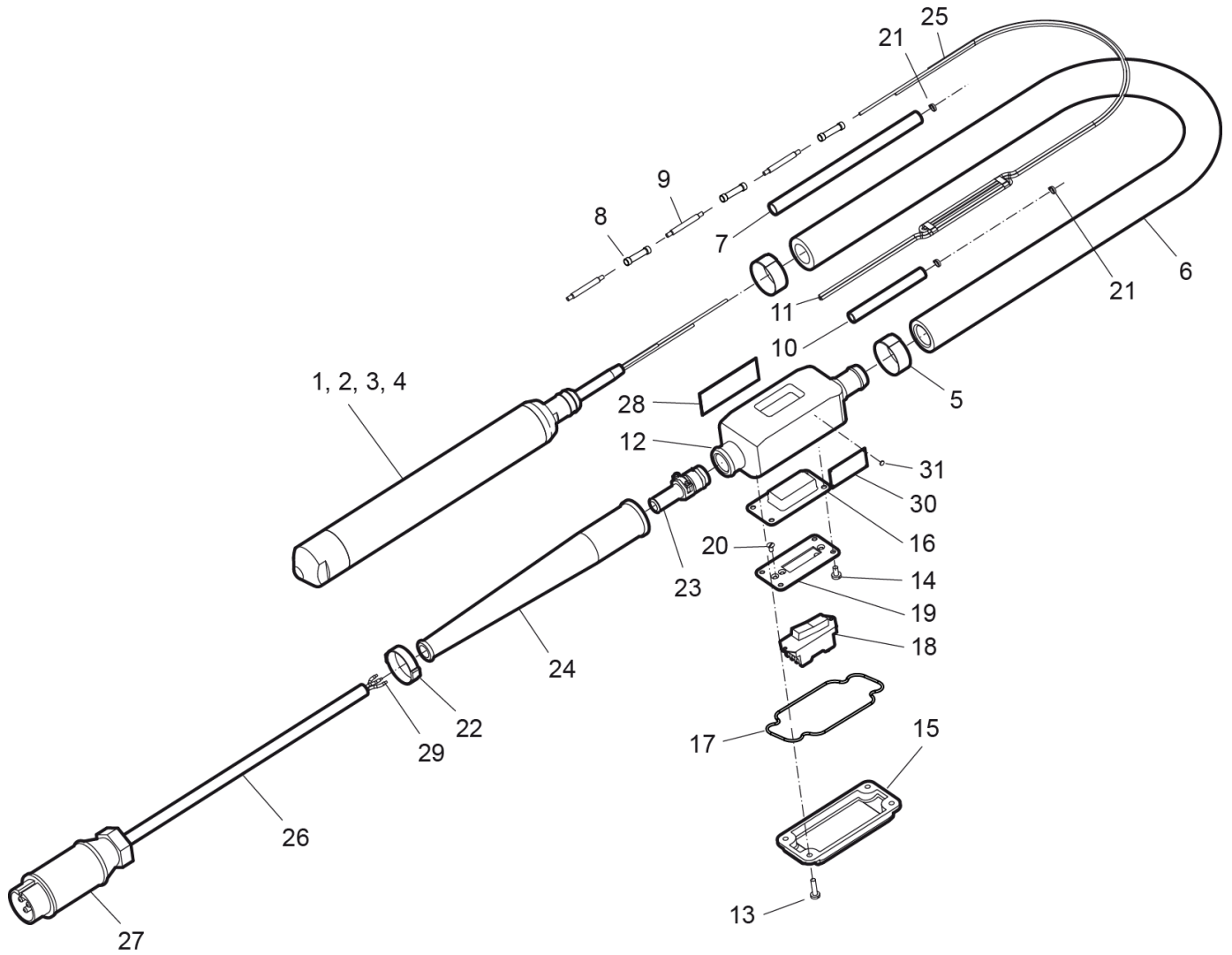
F | L = 100mm (3.9 in.)

G | L = 10 m (32.8 ft.)

H | "High Voltage"

This page intentionally left blank

Spare parts list AX56 42V-3-200Hz



Refer to the Parts Online web page for most up-to-date information. The printed information might be outdated.

Item	Part No.	Name	Qty	L
1	594396901	Vibrating element	1	A
2	595195801	Vibrating element	1	B
3	594384201	Vibrating element	1	C
4	595202001	Vibrating element	1	D
5	594281701	Clamp	2	
6	594388401	Hose	1	E
7	594254901	Hose	1	
8	595118501	Splicing sleeve	3	
9	594257501	Thermo insulating	3	
10	594257101	Protective hose, 0.08 m , 3.1 in., Sold per meter.	1	F
11	594257701	Wire end	3	
12	594962001	Box	1	
13	594121401	Screw, C S M5 x 20 mm CL4.8 (DIN84A)	4	
14	595350401	Screw, C S M5 x 10 mm CL4.8 (DIN84A)	4	
15	594630901	Cover	1	
16	594631001	Membrane	1	
17	594631101	Gasket	1	
18	594552401	Switch	1	
19	594631201	Holder	1	
20	595110501	Screw, F S M4 x 8 mm CL4.8 (DIN963A)	2	
21	594286401	Clamp	4	
22	594253801	Clamp	1	
23	594631301	Gland	2	
24	594256801	Flexible sheeting	1	
25	594287801	Wire	1	
26	594528901	Cable	1	G
27	594604701	Plug	1	
28	595473201	Label	1	
29	595142101	Terminal	6	
30	-	Data plate (Not available separately)	1	
31	595141401	Drive screw	4	

Comments for Page: AX56 42V-3-200Hz

(L)OCAL REMARKS

A | Standard

B | Rubber end cap

C | High amplitude

Refer to the Parts Online web page for most up-to-date information. The printed information might be outdated.

D | High amplitude + rubber end cap

E | L = 5 m (16.4 ft.) Sold by meter

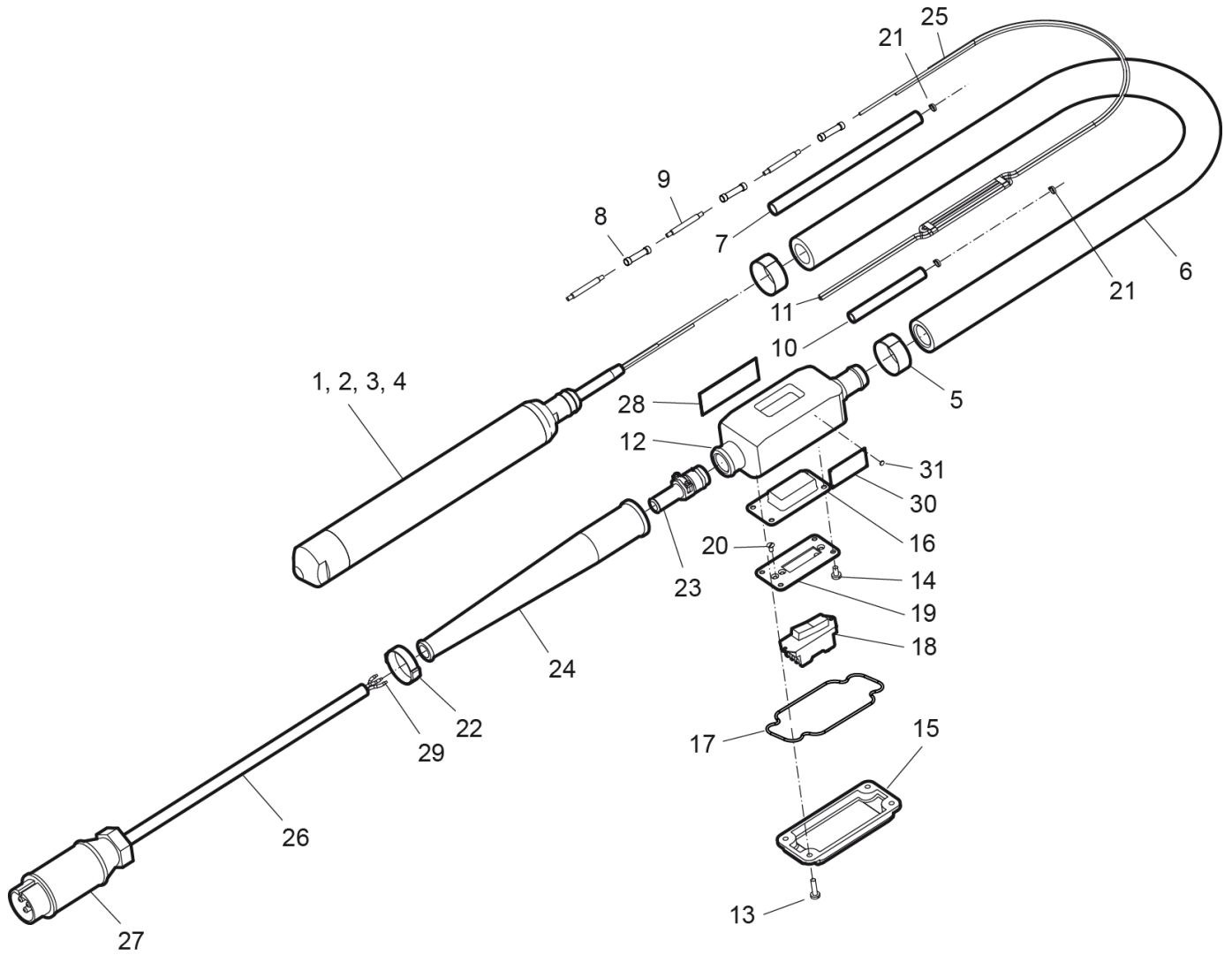
F | L = 100mm (3.9 in.) Sold by meter

G | L = 10 m (32.8 ft.)



This page intentionally left blank

Spare parts list AX65 42V-3-200Hz



Refer to the Parts Online web page for most up-to-date information. The printed information might be outdated.

Item	Part No.	Name	Qty	L
1	594397001	Vibrating element	1	A
2	595195901	Vibrating element	1	B
3	595163001	Vibrating element	1	C
4	594630501	Vibrating element	1	D
5	594281701	Clamp	2	
6	594388401	Hose	1	E
7	594254901	Hose	1	
8	595118501	Splicing sleeve	3	
9	594257501	Thermo insulating	3	
10	594257101	Protective hose, 0.08 m , 3.1 in., Sold per meter.	1	
11	594257701	Wire end	3	
12	594962001	Box	1	
13	594121401	Screw, C S M5 x 20 mm CL4.8 (DIN84A)	4	
14	595350401	Screw, C S M5 x 10 mm CL4.8 (DIN84A)	4	
15	594630901	Cover	1	
16	594631001	Membrane	1	
17	594631101	Gasket	1	
18	594552401	Switch	1	
19	594631201	Holder	1	
20	595110501	Screw, F S M4 x 8 mm CL4.8 (DIN963A)	2	
21	594286401	Clamp	4	
22	594253801	Clamp	1	
23	594631301	Gland	2	
24	594256801	Flexible sheeting	1	
25	594287801	Wire	1	
26	594528901	Cable	1	F
27	594604701	Plug	1	
28	595473201	Label	1	
29	595142101	Terminal	6	
30	-	Data plate (Not available separately)	1	
31	595141401	Drive screw	4	

Comments for Page: AX65 42V-3-200Hz

(L)OCAL REMARKS

A | Standard

B | Rubber end cap

C | High amplitude

Refer to the Parts Online web page for most up-to-date information. The printed information might be outdated.

D | High amplitude + rubber end cap

E | L= 5 m

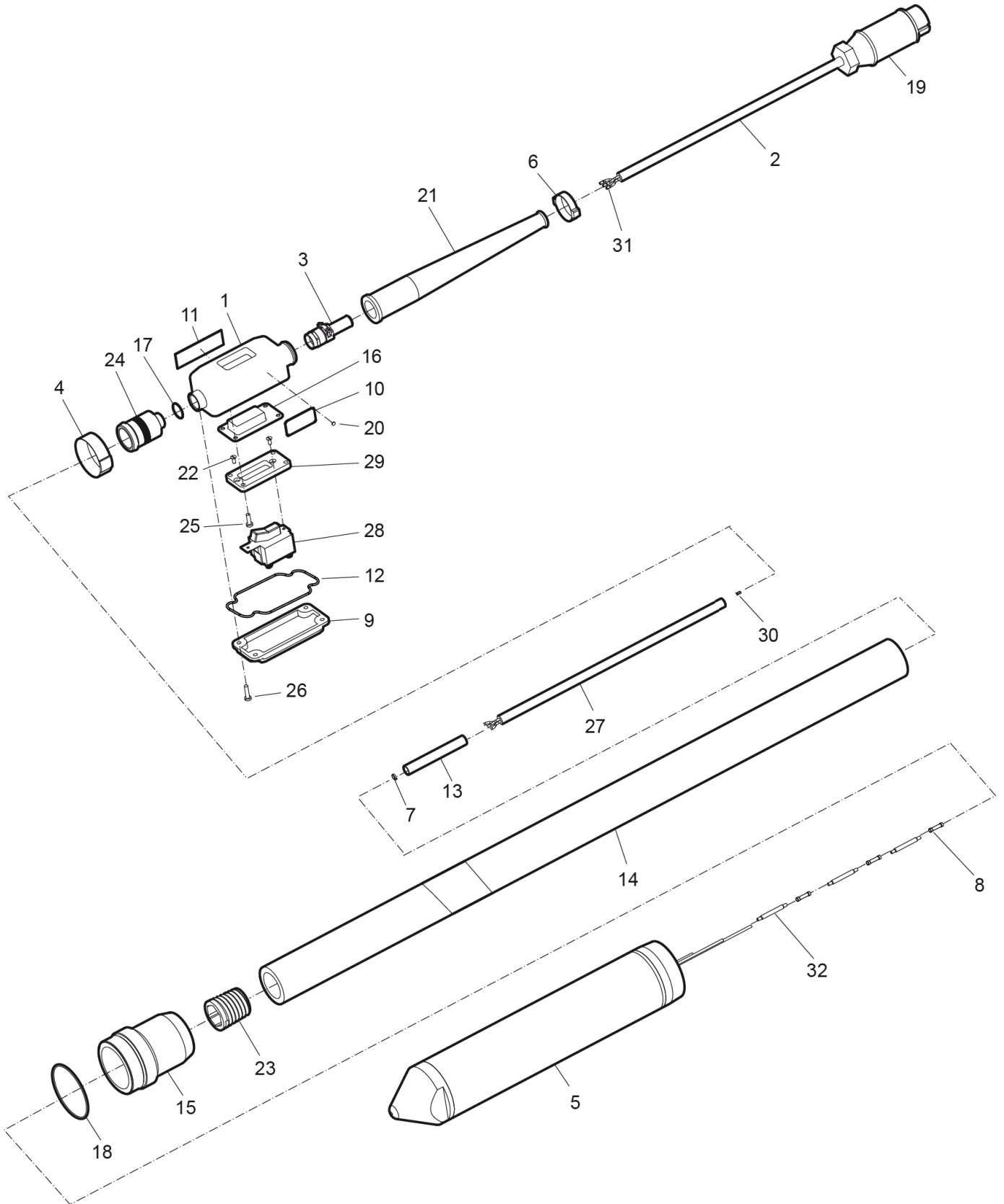
L= 16.4 ft. Sold by meter

F | L= 10 m

L= 32.8 ft.

This page intentionally left blank

Spare parts list AX90 42V-3-200Hz



Refer to the Parts Online web page for most up-to-date information. The printed information might be outdated.

Item	Part No.	Name	Qty	L
1	595933001	Box	1	
2	594528901	Cable	1	
3	594619301	Gland	1	
4	594256201	Clamp	1	
5	595146501	Vibrating element	1	
6	594253801	Clamp	1	
7	594286401	Clamp	1	
8	595118501	Splicing sleeve	3	
9	594630901	Cover	1	
10	-	Data plate (Not available separately)	1	
11	594627501	Safety label	1	
12	594631101	Gasket	1	
13	594254901	Hose	1	
14	595147801	Hose	1	A
15	595147401	Hose holder	1	
16	594631001	Membrane	1	
17	594267601	O-ring	1	
18	595145601	O-ring	1	
19	594604701	Plug	1	
20	595141401	Drive screw	4	
21	594256801	Flexible sheeting	1	
22	595110501	Screw, F S M4 x 8 mm CL4.8 (DIN963A)	2	
23	594784301	Sleeve	1	
24	595147301	Hose holder	1	
25	595350401	Screw, C S M5 x 10 mm CL4.8 (DIN84A)	4	
26	594121401	Screw, C S M5 x 20 mm CL4.8 (DIN84A)	4	
27	595468901	Cable	1	
28	594552401	Switch	1	
29	594631201	Holder	1	
30	594257701	Wire end	3	
31	595142101	Terminal	6	
32	594257501	Thermo insulating	3	

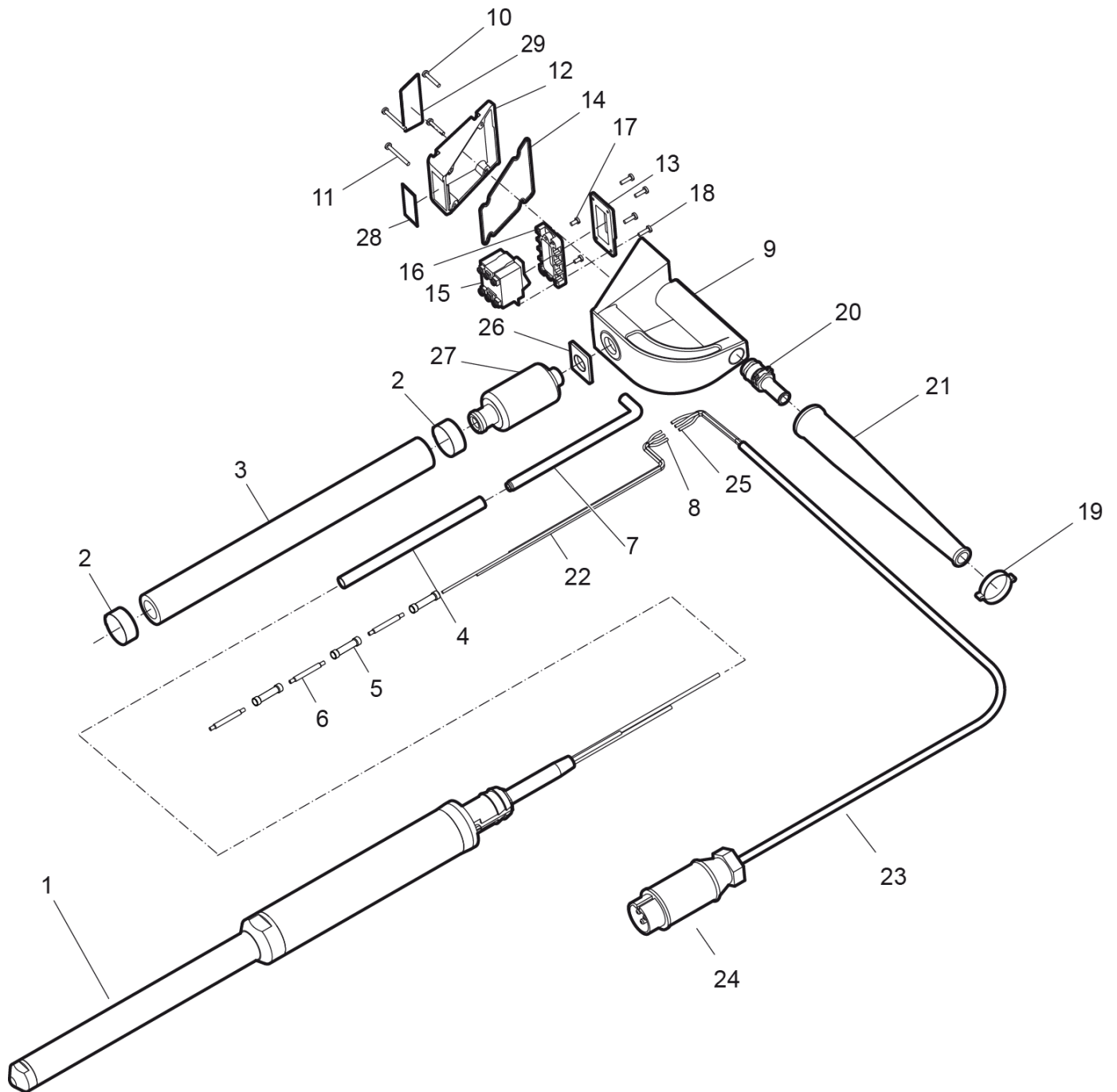
Comments for Page: AX90 42V-3-200Hz

(L)OCAL REMARKS

A | L = 3 m (9.84 ft.) Sold by meter

Refer to the Parts Online web page for most up-to-date information. The printed information might be outdated.

Spare parts list AX28E 42V-3-200Hz



Refer to the Parts Online web page for most up-to-date information. The printed information might be outdated.



Item	Part No.	Name	Qty	L
1	595162501	Vibrating element	1	
2	594281701	Clamp	2	
3	594388401	Hose	1	
4	594254901	Hose	1	
5	595118501	Splicing sleeve	3	
6	594257501	Thermo insulating	3	
7	594257101	Protective hose, 0.08 m , 3.1 in., Sold per meter.	1	
8	594257701	Wire end	3	
9	594626401	Handle	1	
10	594500801	Screw	2	
11	594500901	Screw	2	
12	594626501	Cover	1	
13	594506401	Rubber	1	
14	595047501	O-ring	1	
15	594552401	Switch	1	
16	594626601	Clamp plate	1	
17	595059001	Screw	2	
18	594500701	Screw	4	
19	594255201	Clamp	1	
20	594619301	Gland	1	
21	594256801	Flexible sheeting	1	
22	594287801	Wire	1	
23	594528901	Cable	1	A
24	594604701	Plug	1	
25	595142101	Terminal	6	
26	594380301	Nut	1	
27	594377101	Shock absorber	1	
28	-	Data plate (Not available separately)	1	
29	-	Label	1	

Comments for Page: AX28E 42V-3-200Hz

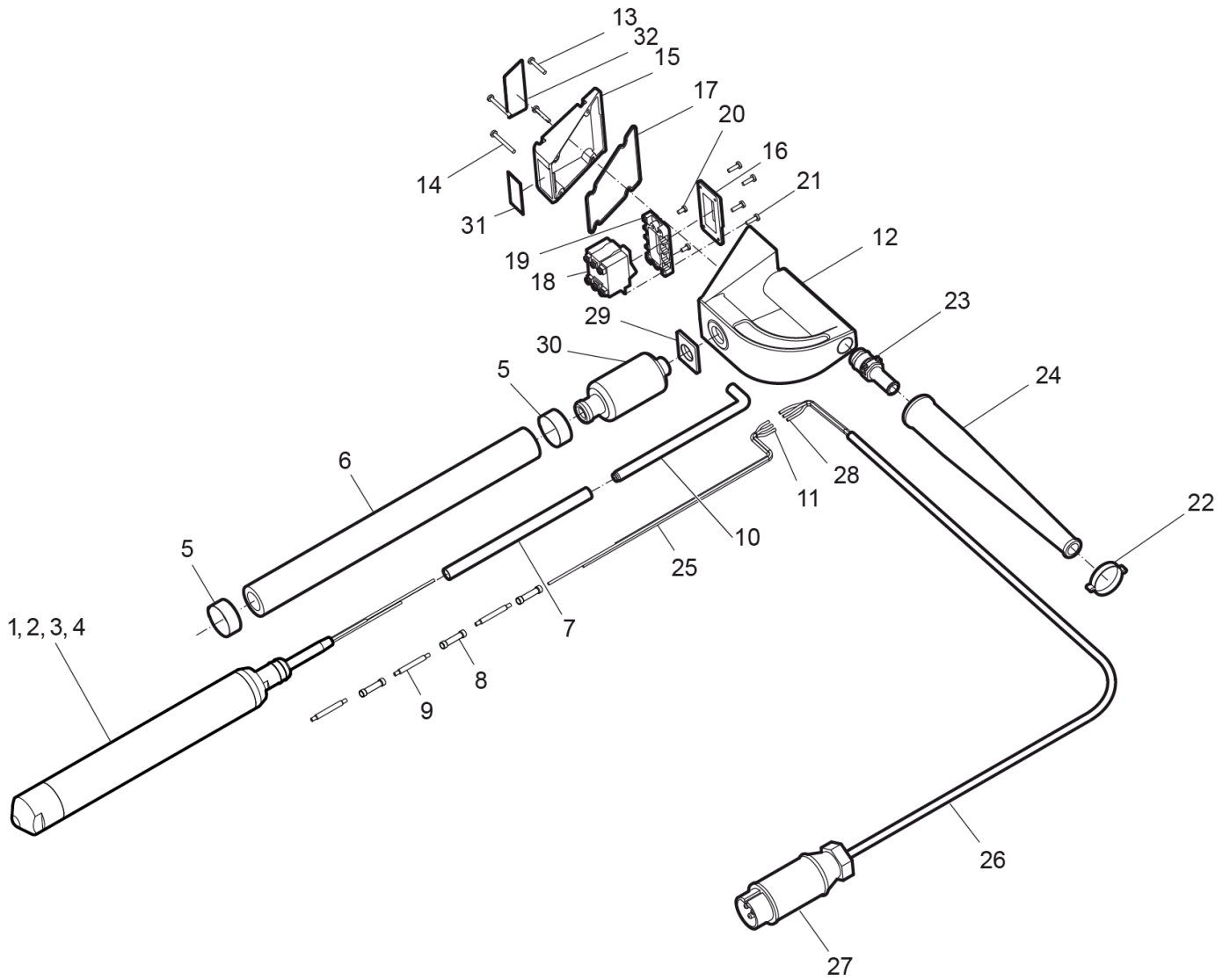
(L)OCAL REMARKS

A | L= 15 m

L= 49.21 ft.

Refer to the Parts Online web page for most up-to-date information. The printed information might be outdated.

Spare parts list AX40E 42V-3-200Hz



Refer to the Parts Online web page for most up-to-date information. The printed information might be outdated.

Item	Part No.	Name	Qty	L
1	594396701	Vibrating element	1	A
2	594619701	Vibrating element	1	B
3	595459901	Vibrating element	1	C
4	595477701	Vibrating element	1	D
5	594281701	Clamp	2	
6	594388401	Hose	1	
7	594254901	Hose	1	
8	595118501	Splicing sleeve	3	
9	594257501	Thermo insulating	3	
10	594257101	Protective hose, 0.08 m , 3.1 in., Sold per meter.	1	
11	594257701	Wire end	3	
12	594626401	Handle	1	
13	594500801	Screw	2	
14	594500901	Screw	2	
15	594626501	Cover	1	
16	594506401	Rubber	1	
17	595047501	O-ring	1	
18	594552401	Switch	1	
19	594626601	Clamp plate	1	
20	595059001	Screw	2	
21	594500701	Screw	4	
22	594255201	Clamp	1	
23	594619301	Gland	1	
24	594256801	Flexible sheeting	1	
25	594287801	Wire	1	
26	594528901	Cable	1	E
27	594604701	Plug	1	
28	595142101	Terminal	6	
29	594380301	Nut	1	
30	594377101	Shock absorber	1	
31	-	Data plate (Not available separately)	1	
32	-	Label	1	

Comments for Page: AX40E 42V-3-200Hz

(L)OCAL REMARKS

A | Standard

B | Rubber end cap

Refer to the Parts Online web page for most up-to-date information. The printed information might be outdated.

C | High amplitude

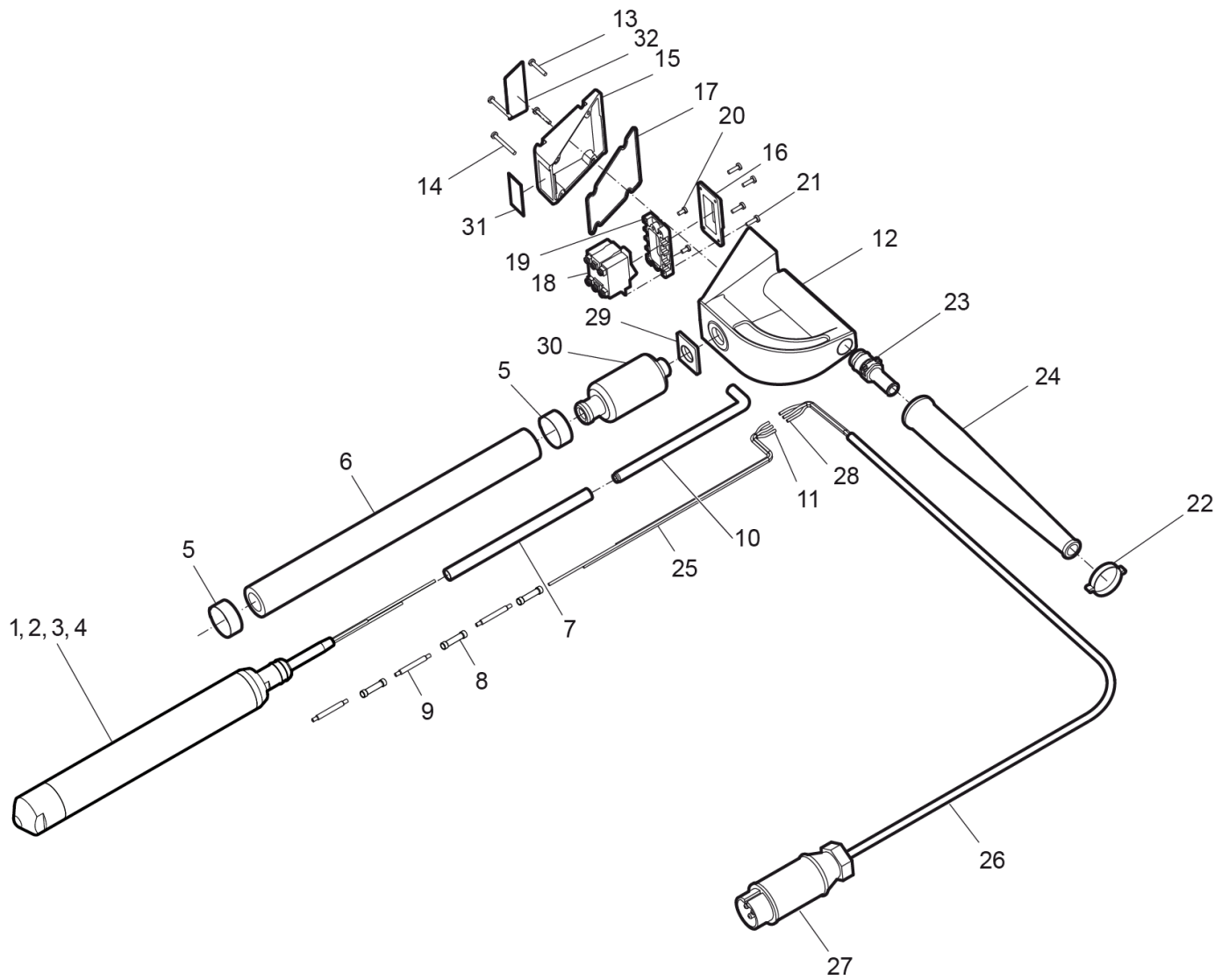
D | High amplitude + rubber end cap

E | L= 15 m

L= 49.21 ft.

This page intentionally left blank

Spare parts list AX48E 42V-3-200Hz



Refer to the Parts Online web page for most up-to-date information. The printed information might be outdated.

Item	Part No.	Name	Qty	L
1	594396801	Vibrating element	1	A
2	595195701	Vibrating element	1	B
3	595162901	Vibrating element	1	C
4	-	Vibrating element	1	D
5	594281701	Clamp	2	
6	594388401	Hose	1	
7	594254901	Hose	1	
8	595118501	Splicing sleeve	3	
9	594257501	Thermo insulating	3	
10	594257101	Protective hose, 0.08 m , 3.1 in., Sold per meter.	1	
11	594257701	Wire end	3	
12	594626401	Handle	1	
13	594500801	Screw	2	
14	594500901	Screw	2	
15	594626501	Cover	1	
16	594506401	Rubber	1	
17	595047501	O-ring	1	
18	594552401	Switch	1	
19	594626601	Clamp plate	1	
20	595059001	Screw	2	
21	594500701	Screw	4	
22	594255201	Clamp	1	
23	594619301	Gland	1	
24	594256801	Flexible sheeting	1	
25	594287801	Wire	1	
26	594528901	Cable	1	E
27	594604701	Plug	1	
28	595142101	Terminal	6	
29	594380301	Nut	1	
30	594377101	Shock absorber	1	
31	-	Data plate (Not available separately)	1	
32	-	Label	1	

Comments for Page: AX48E 42V-3-200Hz

(L)OCAL REMARKS

A | Standard

B | Rubber end cap

Refer to the Parts Online web page for most up-to-date information. The printed information might be outdated.

C | High amplitude

D | High amplitude + rubber end cap

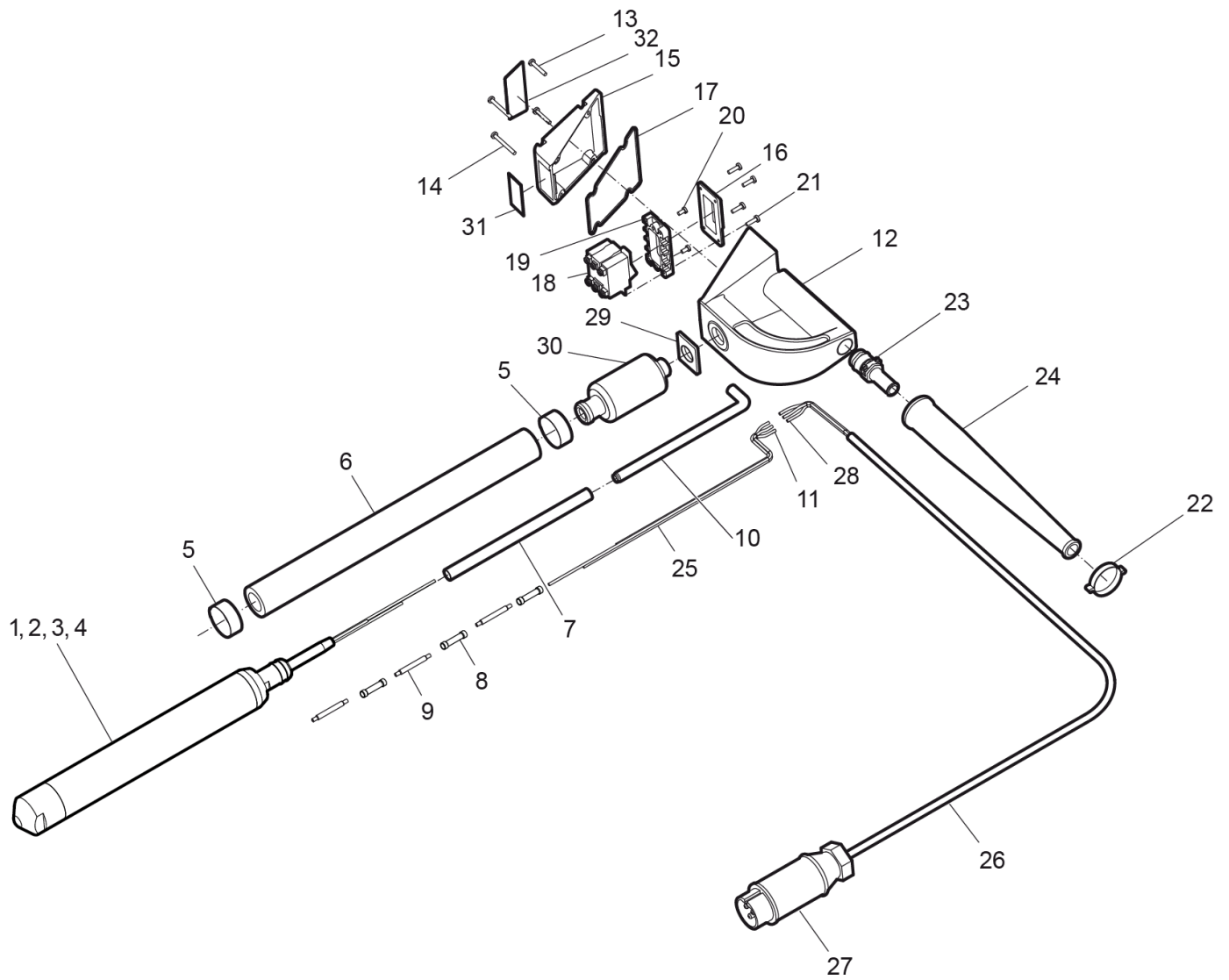
E | L= 15 m

L= 49.21 ft.



This page intentionally left blank

Spare parts list AX56E 42V-3-200Hz



Refer to the Parts Online web page for most up-to-date information. The printed information might be outdated.

Item	Part No.	Name	Qty	L
1	594396901	Vibrating element	1	A
2	595195801	Vibrating element	1	B
3	594384201	Vibrating element	1	C
4	595202001	Vibrating element	1	D
5	594281701	Clamp	2	
6	594388401	Hose	1	
7	594254901	Hose	1	
8	595118501	Splicing sleeve	3	
9	594257501	Thermo insulating	3	
10	594257101	Protective hose, 0.08 m , 3.1 in., Sold per meter.	1	
11	594257701	Wire end	3	
12	594626401	Handle	1	
13	594500801	Screw	2	
14	594500901	Screw	2	
15	594626501	Cover	1	
16	594506401	Rubber	1	
17	595047501	O-ring	1	
18	594552401	Switch	1	
19	594626601	Clamp plate	1	
20	595059001	Screw	2	
21	594500701	Screw	4	
22	594255201	Clamp	1	
23	594619301	Gland	1	
24	594256801	Flexible sheeting	1	
25	594287801	Wire	1	
26	594528901	Cable	1	E
27	594604701	Plug	1	
28	595142101	Terminal	6	
29	594380301	Nut	1	
30	594377101	Shock absorber	1	
31	-	Data plate (Not available separately)	1	
32	-	Label	1	

Comments for Page: AX56E 42V-3-200Hz

(L)OCAL REMARKS

A | Standard

B | Rubber end cap

Refer to the Parts Online web page for most up-to-date information. The printed information might be outdated.

C | High amplitude

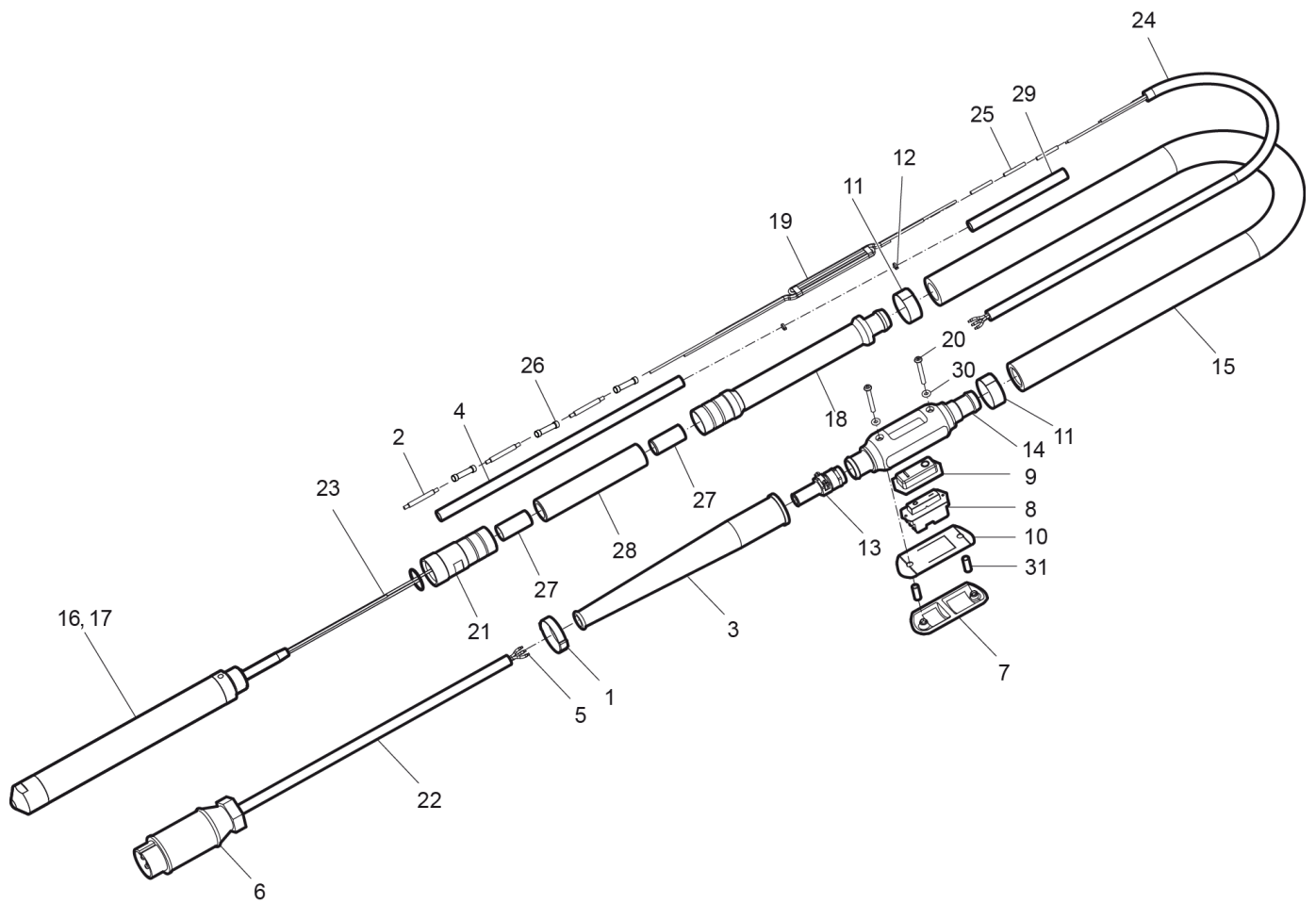
D | High amplitude + rubber end cap

E | L= 15 m

L= 49.21 ft.

This page intentionally left blank

Spare parts list AX36 42V-3-200Hz Rigid cane



Refer to the Parts Online web page for most up-to-date information. The printed information might be outdated.

Item	Part No.	Name	Qty	L
1	594255201	Clamp	1	
2	594257501	Thermo insulating	3	
3	594256801	Flexible sheeting	1	
4	594254901	Hose	1	
5	594257701	Wire end	9	
6	594604701	Plug	1	
7	594630601	Cover	1	
8	594630401	Switch	1	
9	594615601	Rubber membrane	1	
10	594615501	Rubber gasket	1	
11	594281701	Clamp	2	
12	594286401	Clamp	2	
13	594619301	Gland	1	
14	594615401	Switch box	1	
15	594388401	Hose	1	A
16	595195301	Vibrating element	1	B
17	595195201	Vibrating element	1	C
18	595144101	Steel hose cpl.	1	
19	594287801	Wire	1	
20	594615701	Screw	2	
21	595143601	Nipple	1	
22	595468901	Cable	1	D
23	594267201	O-ring	1	
24	595468901	Cable	1	E
25	594276701	Terminal	3	
26	595118501	Splicing sleeve	3	
27	595447001	Bushing	2	
28	595151301	Shock absorber	1	
29	594254901	Hose	1	
30	595117501	O-ring	2	
31	594623101	Hose	2	

Comments for Page: AX36 42V-3-200Hz Rigid cane

(L)OCAL REMARKS

A | L= 5 m

L= 16.40 ft. Sold by meter

B | Standard

Refer to the Parts Online web page for most up-to-date information. The printed information might be outdated.

C | Rubber end cap

D | L= 10 m

L= 32.80 ft.

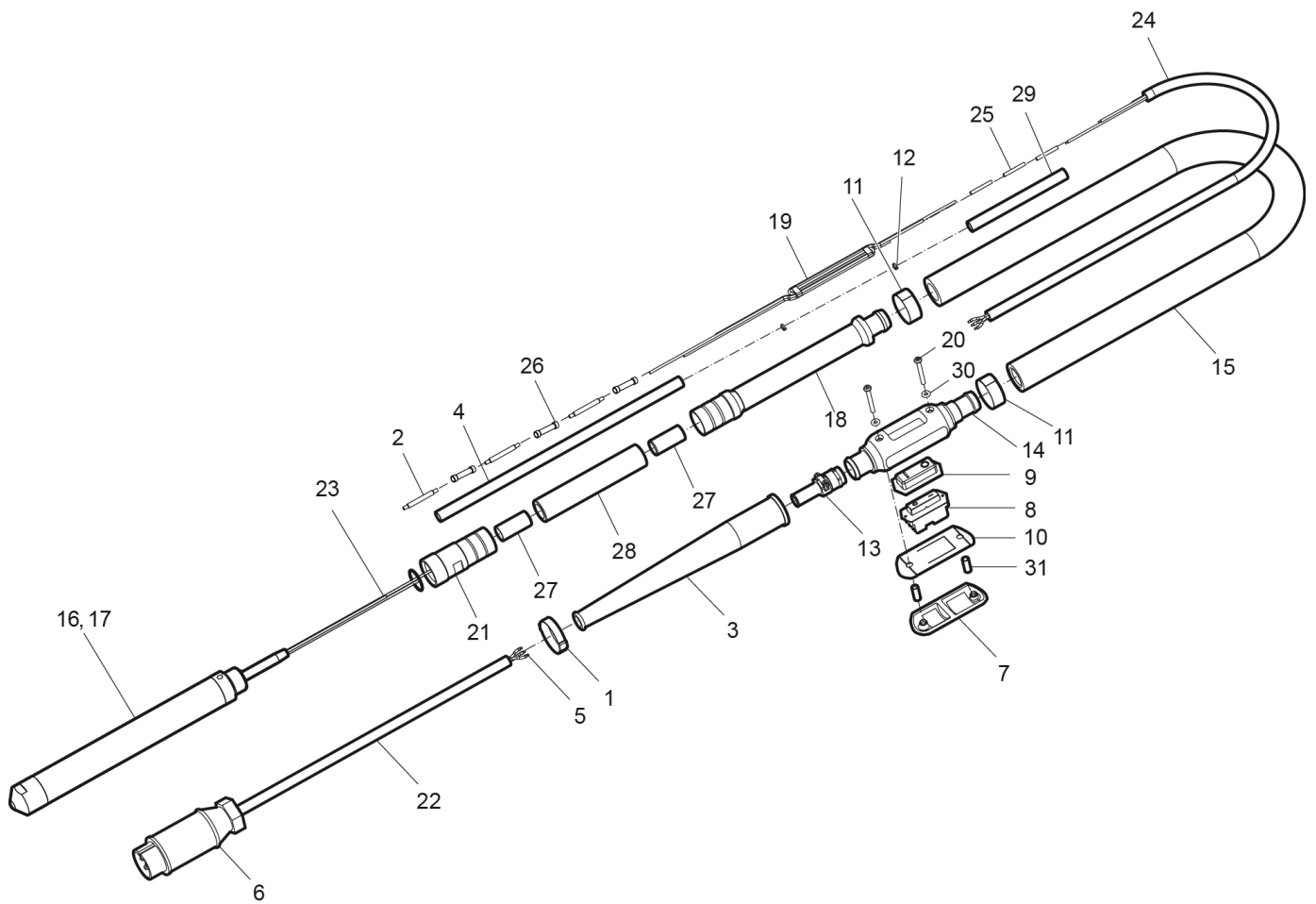
E | L= 4.8 m

L= 15.74 ft.



This page intentionally left blank

Spare parts list AX40 42V-3-200Hz Rigid cane



Refer to the Parts Online web page for most up-to-date information. The printed information might be outdated.

Item	Part No.	Name	Qty	L
1	594255201	Clamp	1	
2	594257501	Thermo insulating	3	
3	594256801	Flexible sheeting	1	
4	594254901	Hose	1	
5	594257701	Wire end	9	
6	594604701	Plug	1	
7	594630601	Cover	1	
8	594630401	Switch	1	
9	594615601	Rubber membrane	1	
10	594615501	Rubber gasket	1	
11	594281701	Clamp	2	
12	594286401	Clamp	2	
13	594619301	Gland	1	
14	594615401	Switch box	1	
15	594388401	Hose	1	A
16	595476001	Vibrating element	1	B
17	595476101	Vibrating element	1	C
18	595144101	Steel hose cpl.	1	
19	594287801	Wire	1	
20	594615701	Screw	2	
21	595143601	Nipple	1	
22	595468901	Cable	1	D
23	594267201	O-ring	1	
24	595468901	Cable	1	E
25	594276701	Terminal	3	
26	595118501	Splicing sleeve	3	
27	595447001	Bushing	2	
28	595151301	Shock absorber	1	
29	594254901	Hose	1	
30	595117501	O-ring	2	
31	594623101	Hose	2	

Comments for Page: AX40 42V-3-200Hz Rigid cane

(L)OCAL REMARKS

A | L= 5 m

L= 16.40 ft. Sold by meter

B | Standard

Refer to the Parts Online web page for most up-to-date information. The printed information might be outdated.

C | Rubber end cap

D | L= 10 m

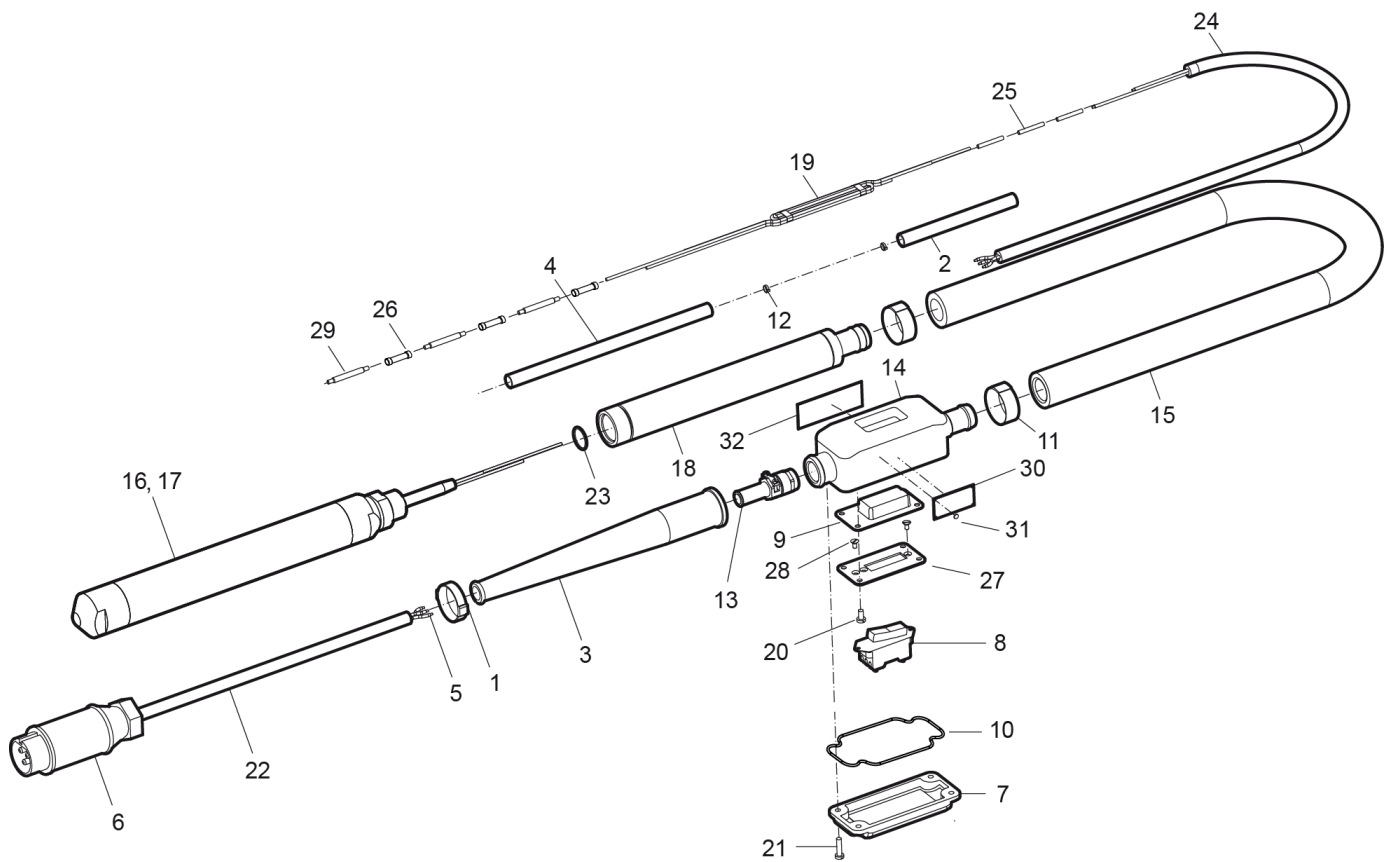
L= 32.80 ft.

E | L= 4.8 m

L= 15.74 ft.

This page intentionally left blank

Spare parts list AX48 42V-3-200Hz Rigid cane



Refer to the Parts Online web page for most up-to-date information. The printed information might be outdated.

Item	Part No.	Name	Qty	L
1	594253801	Clamp	1	
2	594254901	Hose	1	
3	594256801	Flexible sheeting	1	
4	594254901	Hose	1	
5	595142101	Terminal	9	
6	594604701	Plug	1	
7	594630901	Cover	1	
8	594552401	Switch	1	
9	594631001	Membrane	1	
10	594631101	Gasket	1	
11	594281701	Clamp	2	
12	594286401	Clamp	2	
13	594631301	Gland	1	
14	594962001	Box	1	
15	594388401	Hose	1	A
16	595195501	Vibrating element	1	B
17	595195401	Vibrating element	1	C
18	595520401	Steel hose cpl.	1	
19	594287801	Wire	1	
20	595350401	Screw, C S M5 x 10 mm CL4.8 (DIN84A)	4	
21	594121401	Screw, C S M5 x 20 mm CL4.8 (DIN84A)	4	
22	594528901	Cable	1	D
23	594267201	O-ring	1	
24	594528901	Cable	1	E
25	595446201	Terminal	3	
26	595118501	Splicing sleeve	3	
27	594631201	Holder	1	
28	595110501	Screw, F S M4 x 8 mm CL4.8 (DIN963A)	2	
29	594257501	Thermo insulating	3	
30	-	Data plate (Not available separately)	1	
31	595141401	Drive screw	4	
32	594627501	Safety label	1	

Comments for Page: AX48 42V-3-200Hz Rigid cane

(L)OCAL REMARKS

A | L= 5 m

L= 16.40 ft. Sold by meter

Refer to the Parts Online web page for most up-to-date information. The printed information might be outdated.

B | Standard

C | Rubber end cap

D | L= 10 m

L= 32.80 ft.

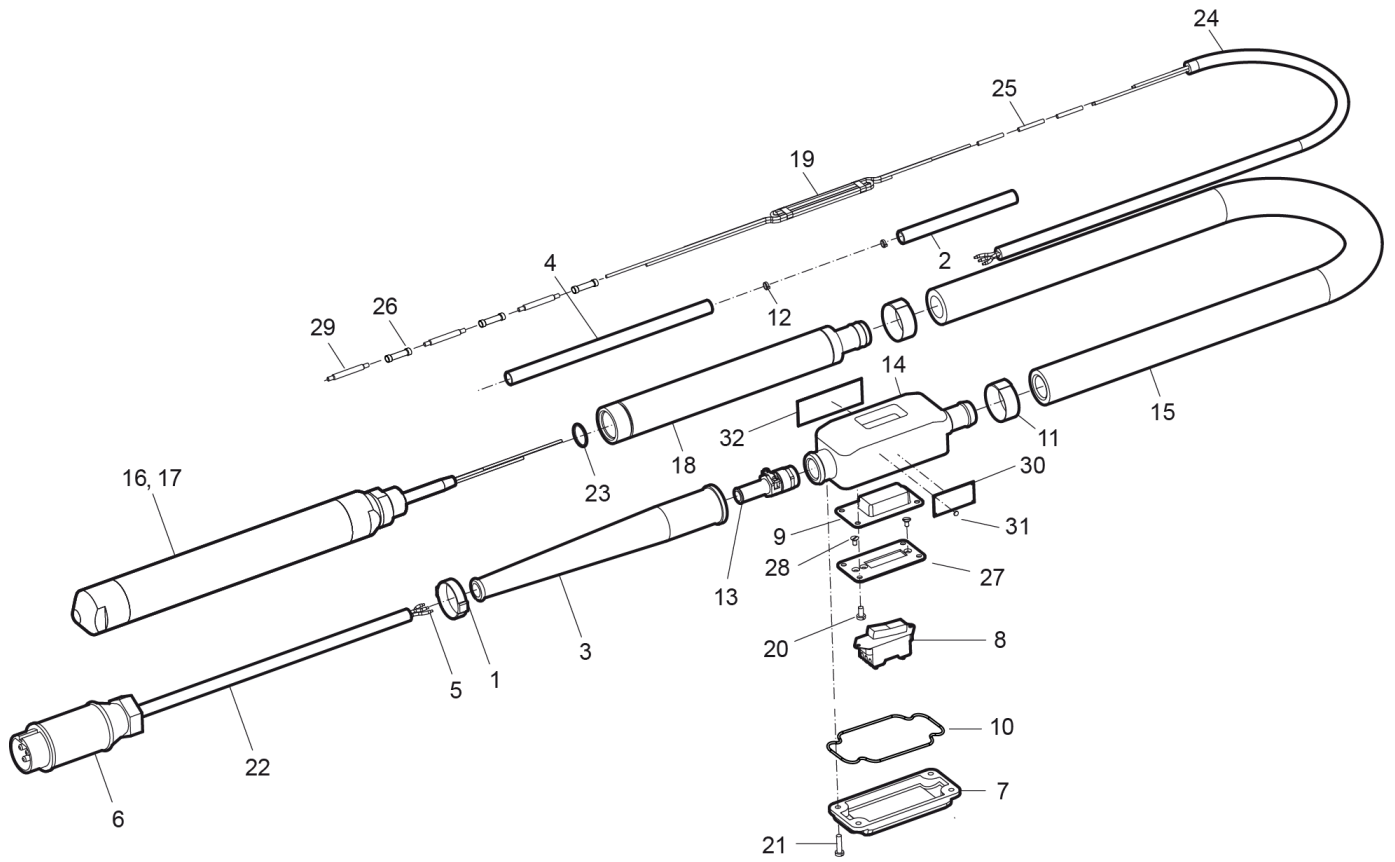
E | L= 10 m

L= 32.80 ft.



This page intentionally left blank

Spare parts list AX56 42V-3-200Hz Rigid cane



Refer to the Parts Online web page for most up-to-date information. The printed information might be outdated.

Item	Part No.	Name	Qty	L
1	594253801	Clamp	1	
2	594254901	Hose	1	
3	594256801	Flexible sheeting	1	
4	594254901	Hose	1	
5	595142101	Terminal	9	
6	594604701	Plug	1	
7	594630901	Cover	1	
8	594552401	Switch	1	
9	594631001	Membrane	1	
10	594631101	Gasket	1	
11	594281701	Clamp	2	
12	594286401	Clamp	2	
13	594631301	Gland	1	
14	594962001	Box	1	
15	594388401	Hose	1	A
16	595200601	Vibrating element	1	B
17	595200701	Vibrating element	1	C
18	595520401	Steel hose cpl.	1	
19	594287801	Wire	1	
20	595350401	Screw, C S M5 x 10 mm CL4.8 (DIN84A)	4	
21	594121401	Screw, C S M5 x 20 mm CL4.8 (DIN84A)	4	
22	594528901	Cable	1	D
23	594267201	O-ring	1	
24	594528901	Cable	1	E
25	595446201	Terminal	3	
26	595118501	Splicing sleeve	3	
27	594631201	Holder	1	
28	595110501	Screw, F S M4 x 8 mm CL4.8 (DIN963A)	2	
29	594257501	Thermo insulating	3	
30	-	Data plate (Not available separately)	1	
31	595141401	Drive screw	4	
32	594627501	Safety label	1	

Comments for Page: AX56 42V-3-200Hz Rigid cane

(L)OCAL REMARKS

A | L= 5 m

L= 16.40 ft. Sold by meter

Refer to the Parts Online web page for most up-to-date information. The printed information might be outdated.

B | Standard

C | Rubber end cap

D | L= 10 m

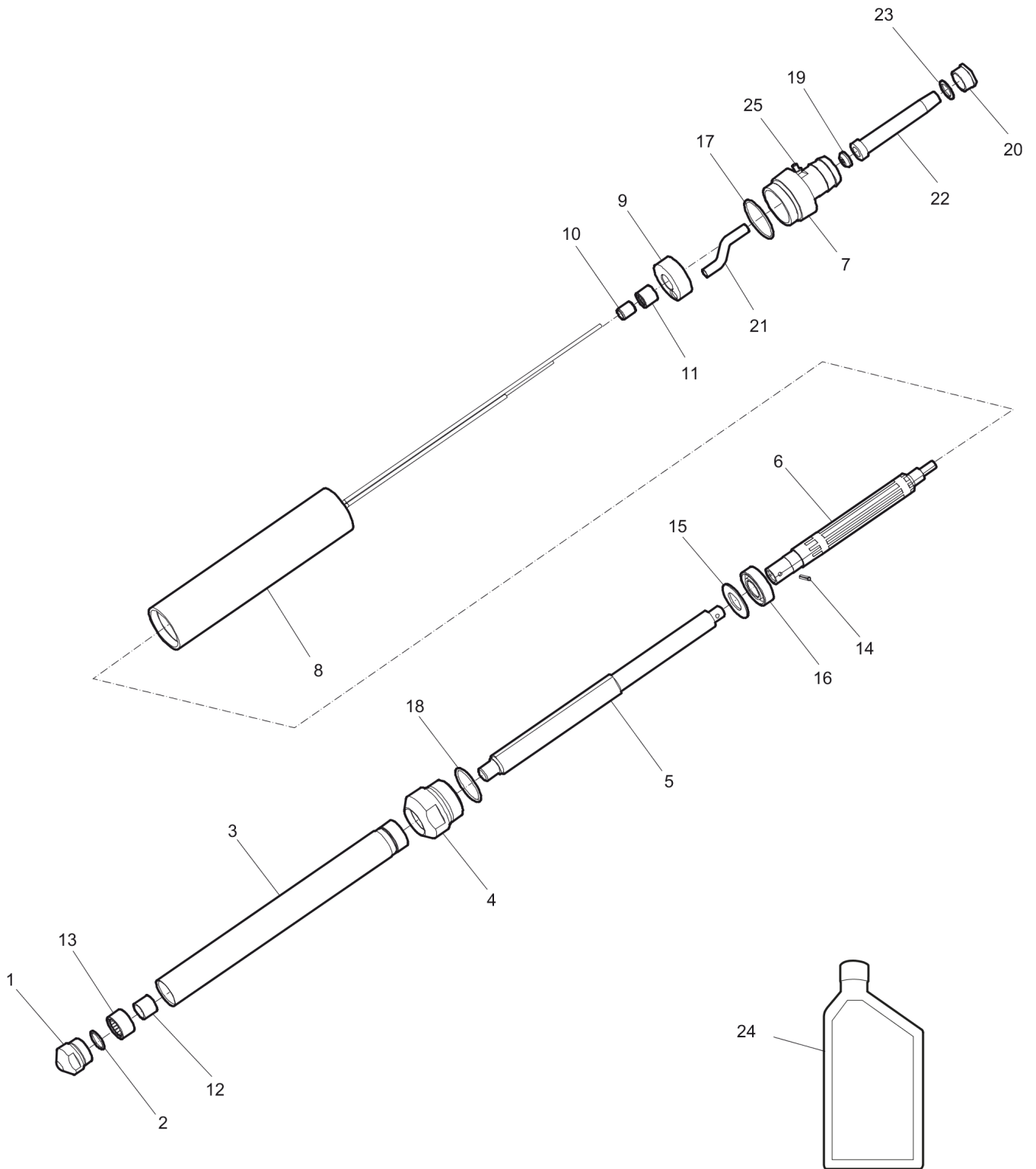
L= 32.80 ft.

E | L= 10 m

L= 32.80 ft.

This page intentionally left blank

Spare parts list Vibrating element AX28E



Refer to the Parts Online web page for most up-to-date information. The printed information might be outdated.

Item	Part No.	Name	Qty	L
1	594288401	End cap	1	
2	594267601	O-ring	1	
3	595155701	Vibrating tube	1	
4	595521501	Reducer	1	
5	595156201	Eccentric	1	
6	595142701	Rotor	1	
7	595156001	Nipple	1	
8	595142801	Stator tube	1	
9	594277501	Bearing holder	1	
10	594272301	Ring	1	
11	594272201	Needle bearing	1	
12	594288501	Ring	1	
13	594288601	Needle bearing	1	
14	595521601	Pin	1	
15	595154301	Washer	1	
16	595450601	Bearing	1	
17	594268001	O-ring	1	
18	594267901	O-ring	1	
19	594289001	Gasket	1	
20	594287301	Thrust screw	1	
21	595149001	Hose	1	
22	594290401	Flexible sheating	1	
23	594287501	Thrusting	1	
24	595146201	Oil 30 cm3	1	A
25	594272701	Screw	1	

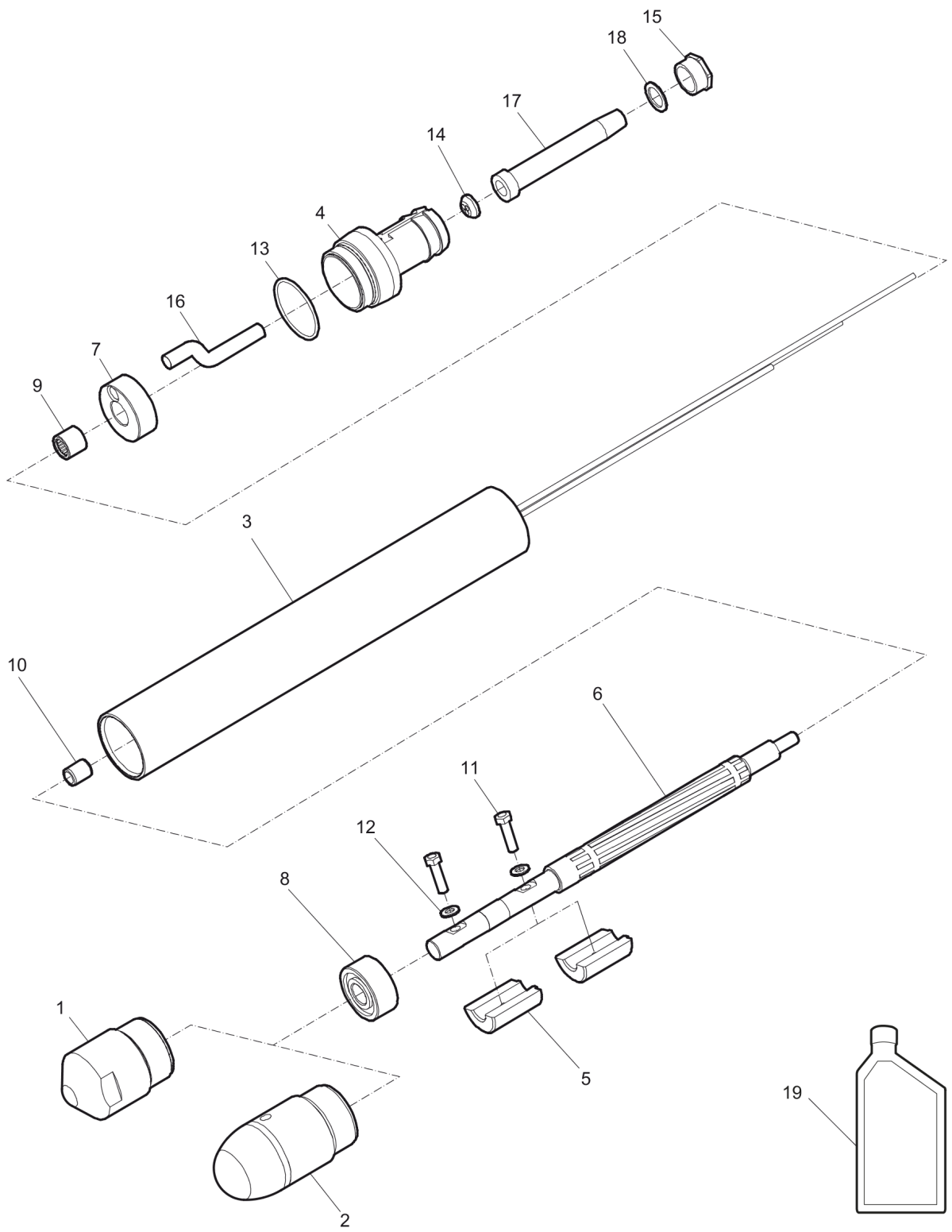
Comments for Page: Vibrating element AX28E

(L)OCAL REMARKS

A | 0.01 l

0.33 oz.

Spare parts list Vibrating element AX36



Refer to the Parts Online web page for most up-to-date information. The printed information might be outdated.



Item	Part No.	Name	Qty	L
1	595158401	End cap	1	
2	594786101	Rubber end cap	1	
3	595452001	Stator tube	1	
4	595194301	Nipple	1	
5	595158501	Eccentric	2	
6	594292401	Rotor	1	
7	595158601	Bearing holder	1	
8	594290301	Bearing	1	
9	594272201	Needle bearing	1	
10	594272301	Ring	1	
11	-	Screw, H M5 x 18 mm CL8.8 (DIN933)	2	
12	594399301	Washer	2	
13	594267901	O-ring	1	
14	594289001	Gasket	1	
15	594616501	Thrust screw	1	
16	595149001	Hose	1	
17	594616401	Flexible sheathing	1	
18	594618001	Thrust ring	1	
19	595146201	Oil 30 cm3	1	A

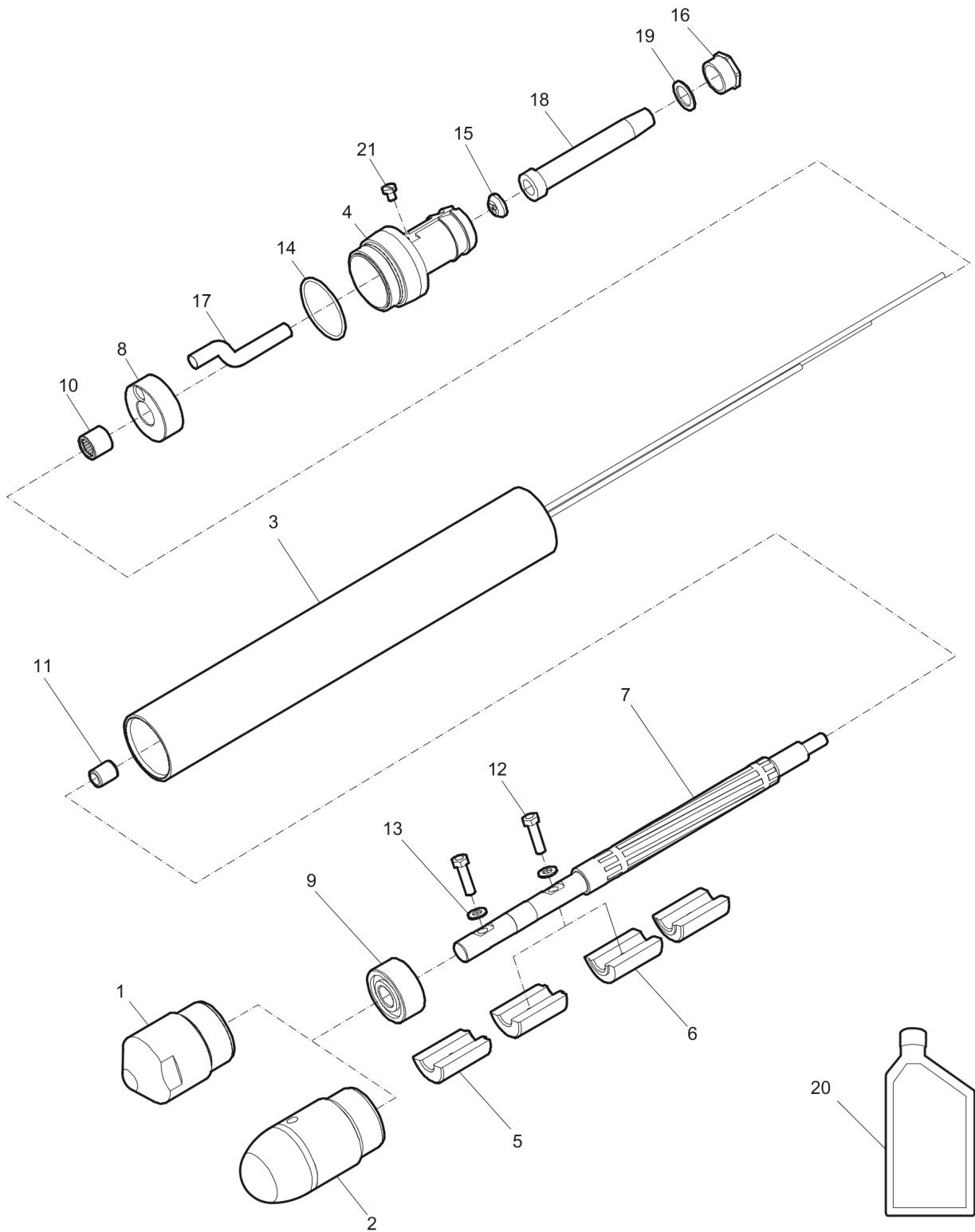
Comments for Page: Vibrating element AX36

(L)OCAL REMARKS

A | 0.005 l

0.17 oz.

Spare parts list Vibrating element AX40 and AX40E



Refer to the Parts Online web page for most up-to-date information. The printed information might be outdated.

Item	Part No.	Name	Qty	L
1	594397101	End cap	1	
2	595156701	Rubber end cap	1	
3	595143001	Stator tube	1	
4	595156001	Nipple	1	
5	594397501	Eccentric	2	
6	594290201	Eccentric	2	A
7	594262301	Rotor	1	
8	594277501	Bearing holder	1	
9	594290301	Bearing	1	
10	594272201	Needle bearing	1	
11	594272301	Ring	1	
12	-	Screw, H M5 x 18 mm CL8.8 (DIN933)	2	
13	594399301	Washer	2	
14	594268001	O-ring	1	
15	594289001	Gasket	1	
16	594287301	Thrust screw	1	
17	595149001	Hose	1	
18	594290401	Flexible sheating	1	
19	594287501	Thrusting	1	
20	595146201	Oil 30 cm3	1	B
21	594272701	Screw	1	

Comments for Page: Vibrating element AX40 and AX40E

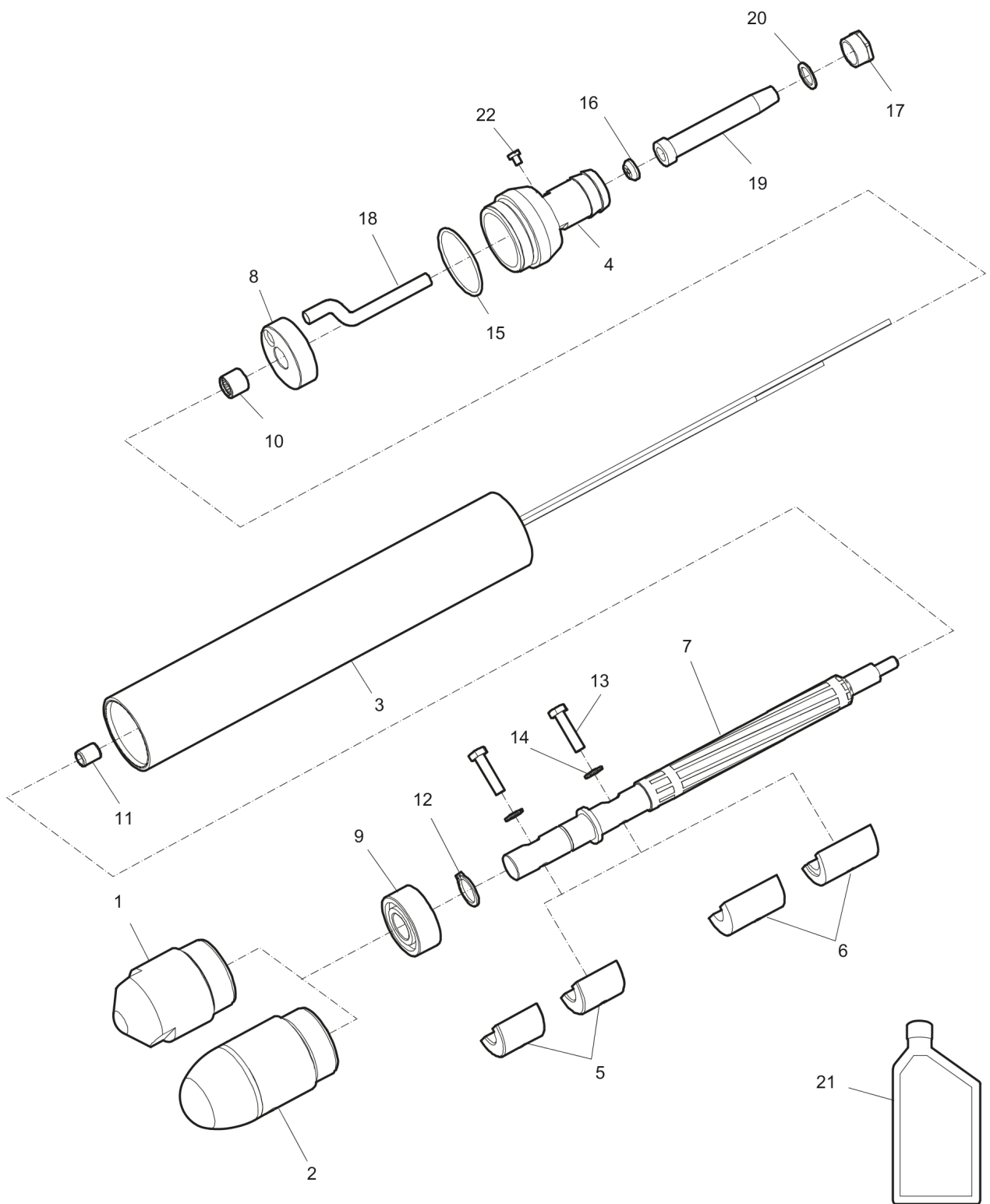
(L)OCAL REMARKS

A | High amplitude (option)

B | 0.005 l

0.17 oz.

Spare parts list Vibrating element AX48 - AX48E



Refer to the Parts Online web page for most up-to-date information. The printed information might be outdated.

Item	Part No.	Name	Qty	L
1	594397201	End cap	1	
2	595156801	Rubber end cap	1	A
3	594786501	Stator tube	1	
4	594264901	Nipple	1	
5	595166901	Eccentric	2	
6	595155801	Eccentric	2	B
7	594289501	Rotor	1	
8	594265001	Bearing holder	1	
9	594289601	Bearing	1	
10	594272301	Ring	1	
11	594272301	Ring	1	
12	594286301	Retaining ring	1	
13	-	Screw, H M6 x 25 mm CL8.8 (DIN933)	2	
14	594399401	Washer	2	
15	594266901	O-ring	1	
16	594289001	Gasket	1	
17	594287301	Thrust screw	1	
18	594277801	Hose	1	
19	594290401	Flexible sheating	1	
20	594287501	Thrusting	1	
21	595146201	Oil 30 cm3	1	C
22	594272701	Screw	1	

Comments for Page: Vibrating element AX48 - AX48E

(L)OCAL REMARKS

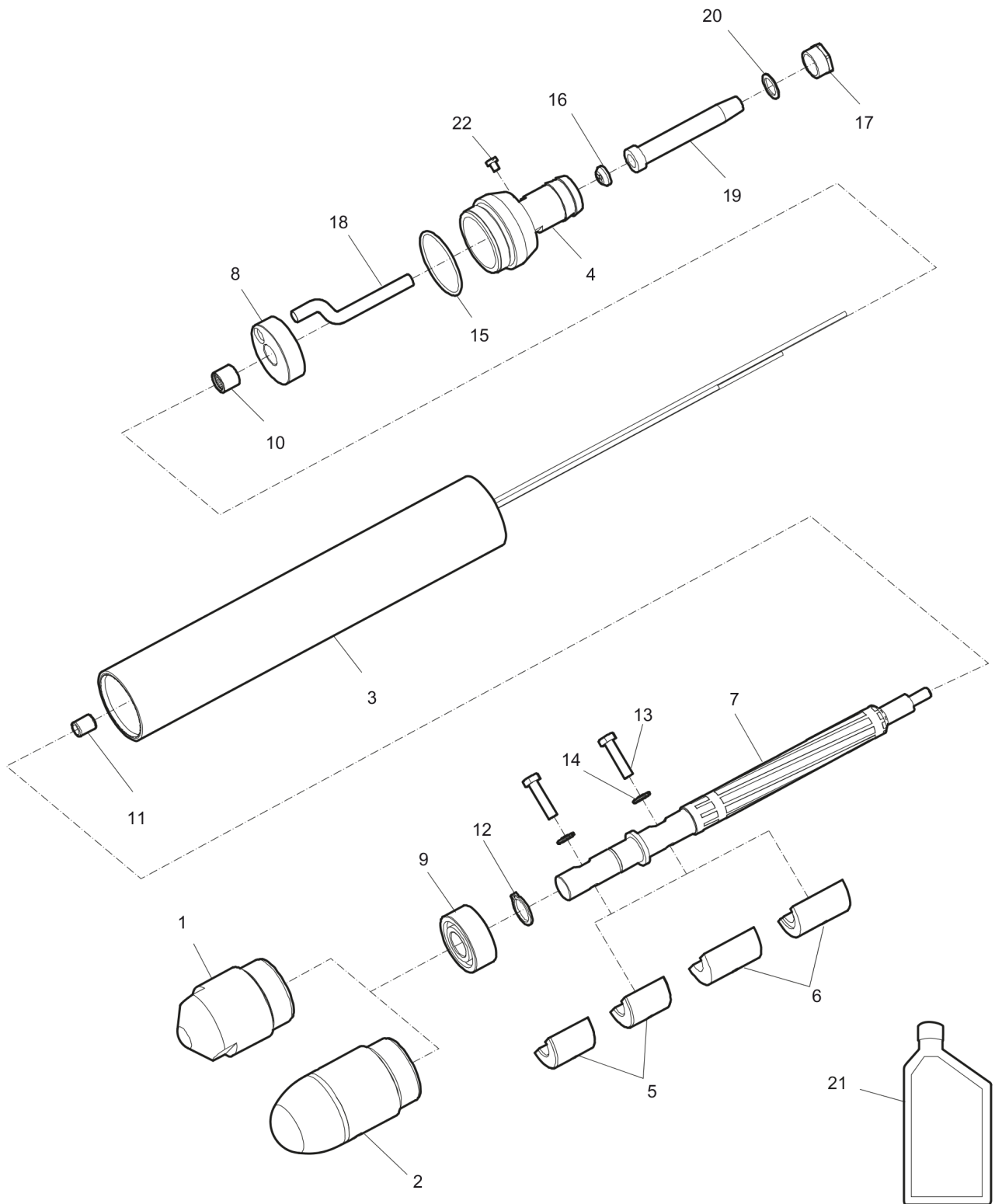
A | (Option)

B | High amplitude (option)

C | 0.01 l

0.33 oz.

Spare parts list Vibrating element AX56 - AX56E



Refer to the Parts Online web page for most up-to-date information. The printed information might be outdated.

Item	Part No.	Name	Qty	L
1	594397301	End cap	1	
2	595029601	Rubber end cap	1	A
3	595450701	Stator tube	1	
4	595156101	Nipple	1	
5	594397601	Eccentric	2	
6	595450801	Eccentric	2	B
7	594289201	Rotor	1	
8	594277601	Bearing holder	1	
9	594289301	Bearing	1	
10	594273601	Bearing	1	
11	594273701	Ring	1	
12	594278001	Snap ring	1	
13	-	Screw, H M6 x 25 mm CL8.8 (DIN933)	2	
14	594399401	Washer	2	
15	594266901	O-ring	1	
16	594289001	Gasket	1	
17	594287301	Thrust screw	1	
18	594277801	Hose	1	
19	594290401	Flexible sheating	1	
20	594287501	Thrusting	1	
21	595146201	Oil 30 cm3	1	C
22	594272701	Screw	1	

Comments for Page: Vibrating element AX56 - AX56E

(L)OCAL REMARKS

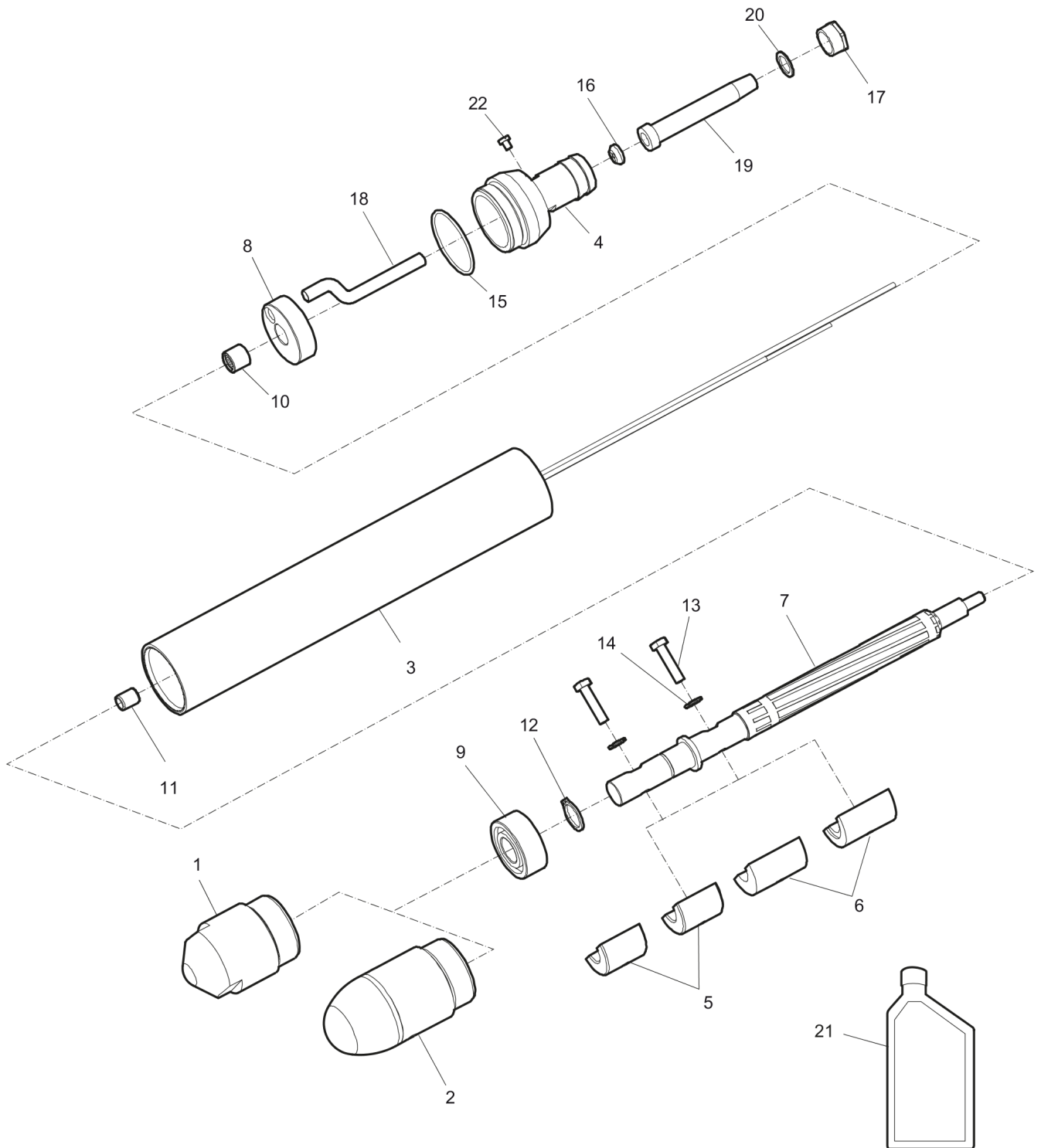
A | (Option)

B | High amplitude (option)

C | 0.015 l

0.50 oz.

Spare parts list Vibrating element AX65



Refer to the Parts Online web page for most up-to-date information. The printed information might be outdated.



Item	Part No.	Name	Qty	L
1	594397401	End cap	1	
2	595450901	Rubber end cap	1	A
3	594289801	Stator tube	1	
4	594290501	Nipple	1	
5	594397701	Eccentric	2	
6	595155901	Eccentric	2	B
7	594289901	Rotor	1	
8	594277701	Bearing holder	1	
9	594290001	Bearing	1	
10	594273601	Bearing	1	
11	594273701	Ring	1	
12	594278001	Snap ring	1	
13	595466001	Screw	2	
14	594399501	Washer	2	
15	594268301	O-ring	1	
16	594289001	Gasket	1	
17	594287301	Thrust screw	1	
18	594791001	Hose	1	
19	594290401	Flexible sheating	1	
20	594287501	Thrusting	1	
21	595146201	Oil 30 cm3	1	C
22	594272701	Screw	1	

Comments for Page: Vibrating element AX65

(L)OCAL REMARKS

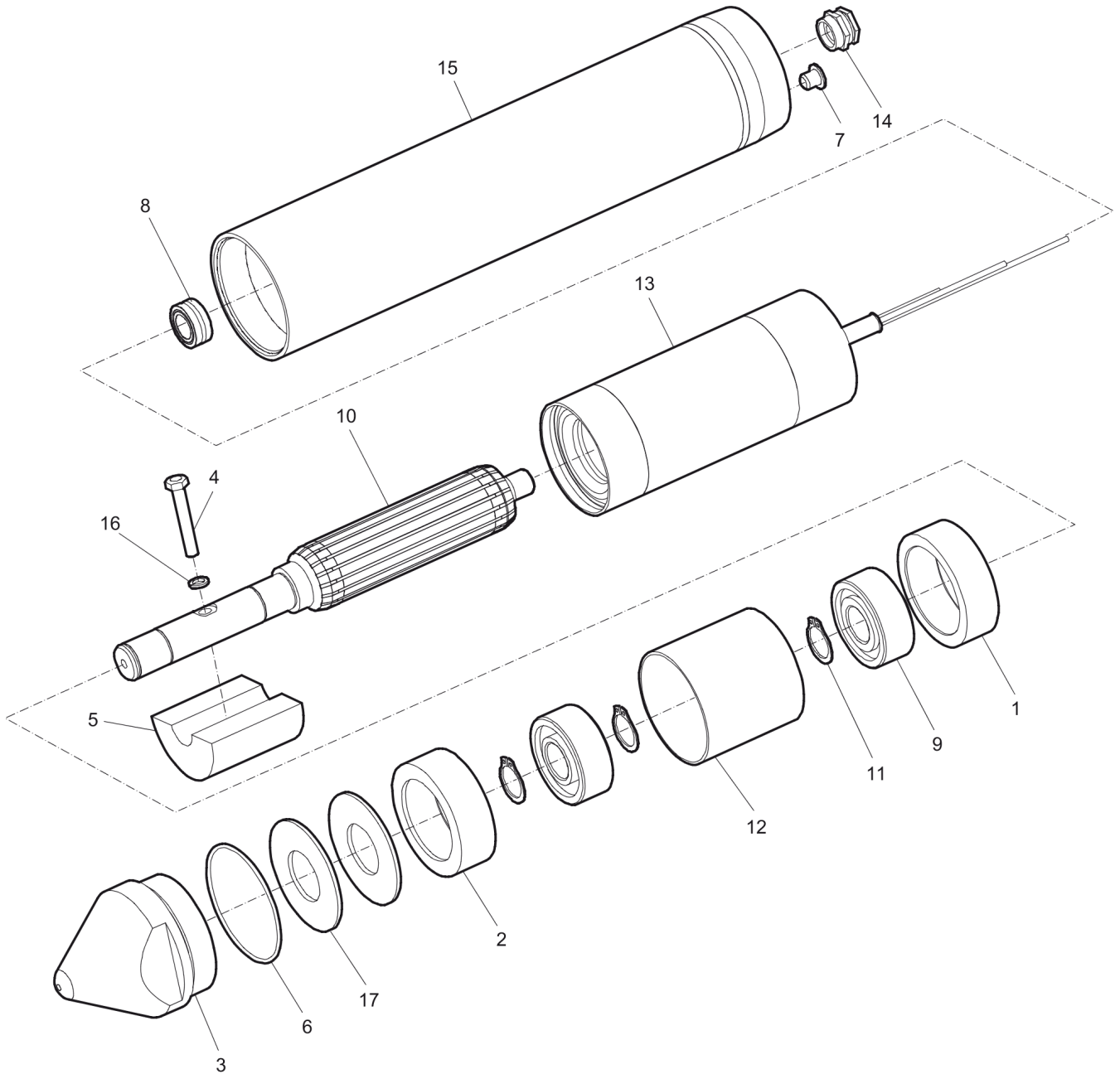
A | (Option)

B | High amplitude (option)

C | 0.02 l

0.67 oz.

Spare parts list Vibrating element AX90



Refer to the Parts Online web page for most up-to-date information. The printed information might be outdated.

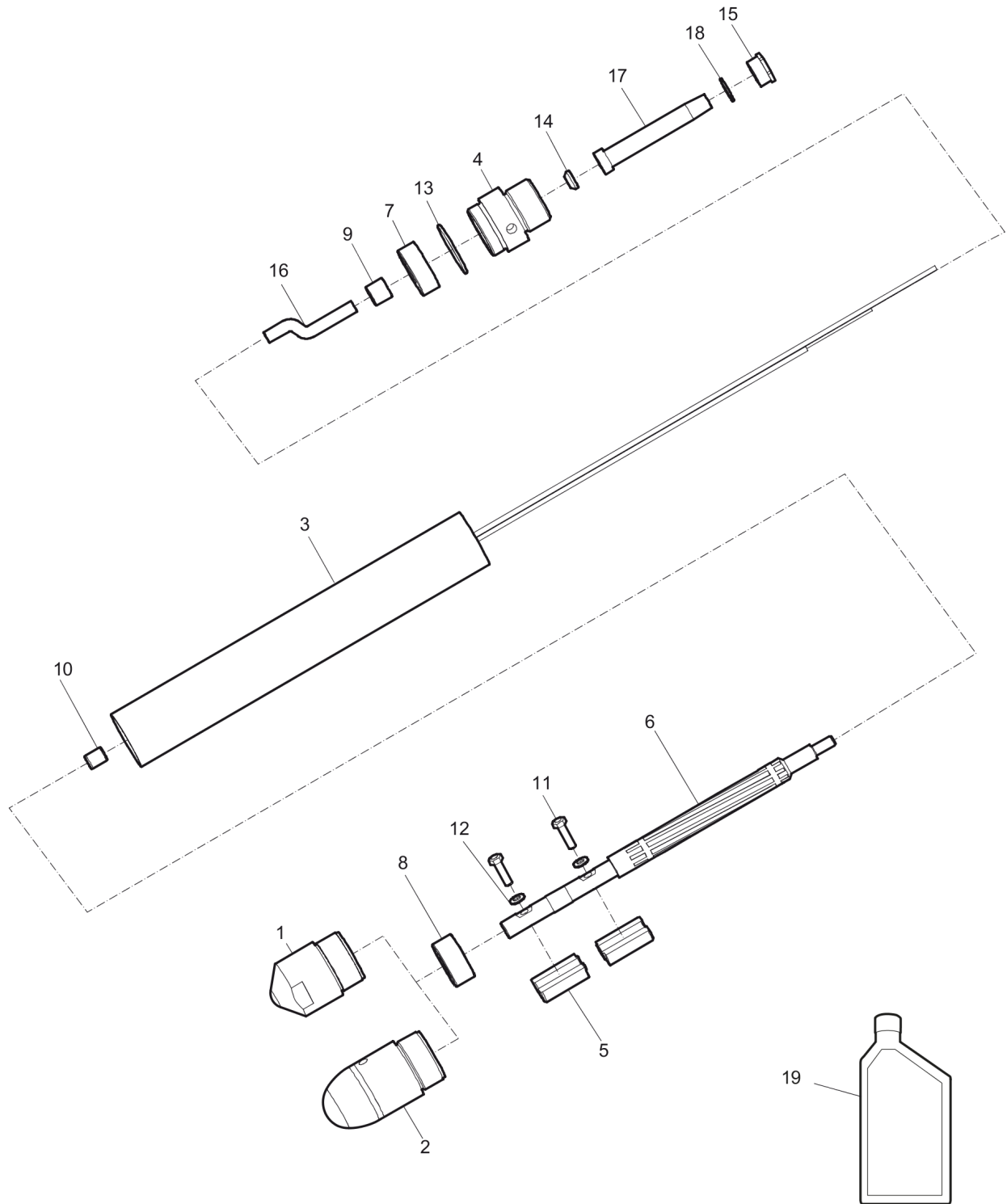
Item	Part No.	Name	Qty	L
1	595146701	Bearing holder	1	
2	595146901	Bearing holder	1	
3	595445701	End cap	1	
4	-	Hex head screw, H M8 x 50 mm CL8.8 (DIN933)	1	
5	595520601	Mass	1	
6	595145601	O-ring	1	
7	594284001	Cap	1	
8	594256001	Bearing	1	
9	594272101	Bearing	2	
10	595147101	Rotor assy	1	
11	595144401	Circlip ring	1	
12	595146801	Spacer	1	
13	595147201	Stator assy	1	
14	595141601	Stuffing box	1	
15	595146601	Tube assy	1	
16	595061301	Spring washer	1	A
17	595147001	Spring washer	2	

Comments for Page: Vibrating element AX90

(L)OCAL REMARKS

A | W 8 NFE 25-515

Spare parts list Vibrating element AX36 rigid cane option



Refer to the Parts Online web page for most up-to-date information. The printed information might be outdated.

Item	Part No.	Name	Qty	L
1	595158401	End cap	1	
2	594786101	Rubber end cap	1	
3	595452001	Stator tube	1	
4	595143501	Nipple	1	
5	595158501	Eccentric	2	
6	594292401	Rotor	1	
7	595158601	Bearing holder	1	
8	594290301	Bearing	1	
9	594272201	Needle bearing	1	
10	594272301	Ring	1	
11	-	Screw, H M5 x 18 mm CL8.8 (DIN933)	2	
12	594399301	Washer	2	
13	594267901	O-ring	1	
14	594289001	Gasket	1	
15	594287301	Thrust screw	1	
16	595149001	Hose	1	
17	594290401	Flexible sheating	1	
18	594287501	Thrusting	1	
19	595146201	Oil 30 cm3	1	A

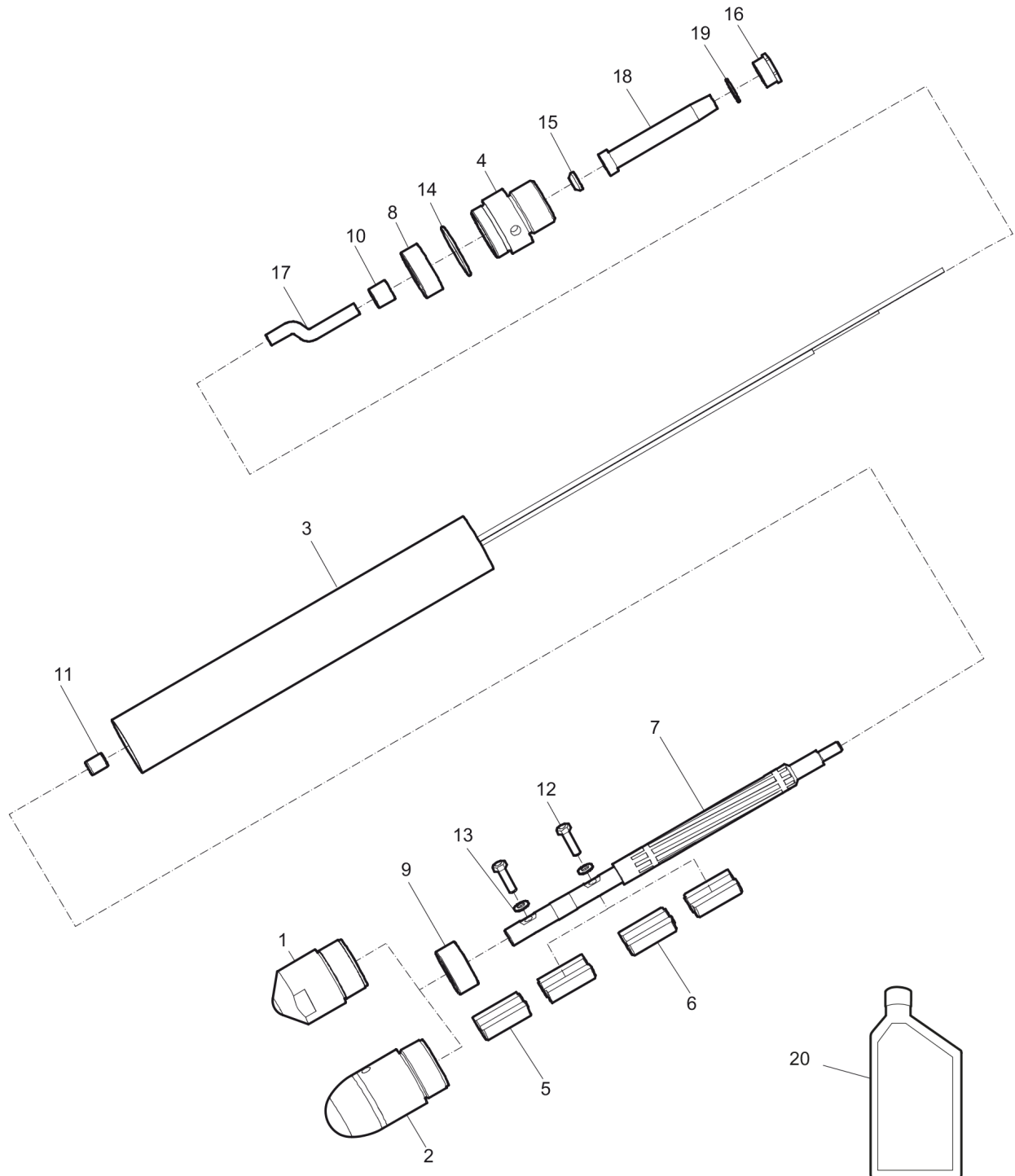
Comments for Page: Vibrating element AX36 rigid cane option

(L)OCAL REMARKS

A | 0.005 l

0.16 oz.

Spare parts list Vibrating element AX40 rigid cane option



Refer to the Parts Online web page for most up-to-date information. The printed information might be outdated.

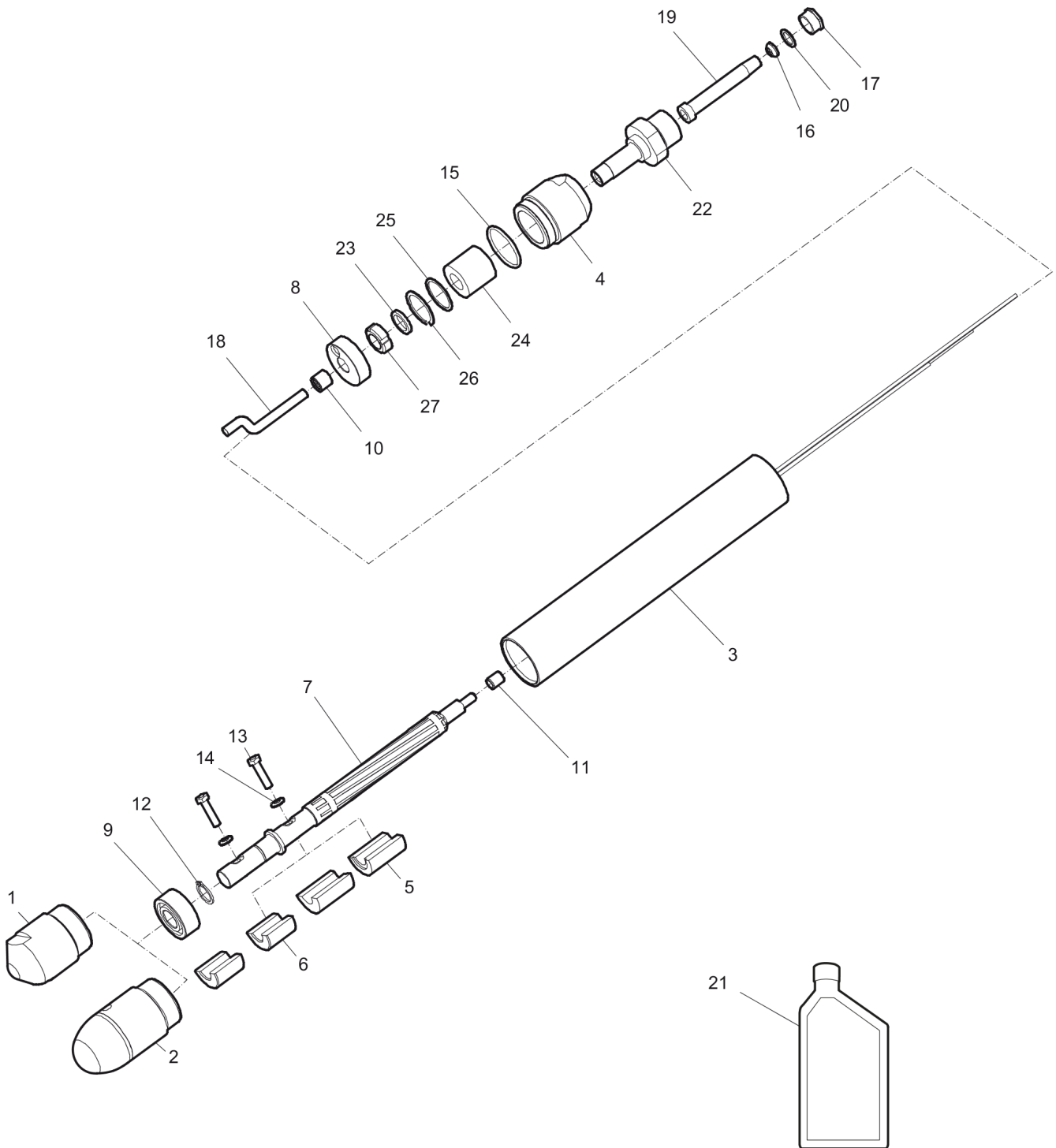
Item	Part No.	Name	Qty	L
1	594397101	End cap	1	
2	595156701	Rubber end cap	1	
3	595143001	Stator tube	1	
4	595445001	Nipple	1	
5	594397501	Eccentric	2	
6	594290201	Eccentric	2	A
7	594262301	Rotor	1	
8	594277501	Bearing holder	1	
9	594290301	Bearing	1	
10	594272201	Needle bearing	1	
11	594272301	Ring	1	
12	-	Screw, H M5 x 18 mm CL8.8 (DIN933)	2	
13	594399301	Washer	2	
14	594268001	O-ring	1	
15	594289001	Gasket	1	
16	594287301	Thrust screw	1	
17	595149001	Hose	1	
18	594290401	Flexible sheathing	1	
19	594287501	Thrusting	1	

Comments for Page: Vibrating element AX40 rigid cane option

(L)OCAL REMARKS

A | High amplitude (option)

Spare parts list Vibrating element AX48 rigid cane option



Refer to the Parts Online web page for most up-to-date information. The printed information might be outdated.



Item	Part No.	Name	Qty	L
1	594397201	End cap	1	
2	595156801	Rubber end cap	1	
3	594786501	Stator tube	1	
4	595144001	Nipple	1	
5	595155801	Eccentric	2	
6	595166901	Eccentric	2	A
7	594289501	Rotor	1	
8	594265001	Bearing holder	1	
9	594289601	Bearing	1	
10	594272201	Needle bearing	1	
11	594272301	Ring	1	
12	594286301	Retaining ring	1	
13	-	Screw, H M6 x 25 mm CL8.8 (DIN933)	2	
14	594399401	Washer	2	
15	594266901	O-ring	1	
16	594289001	Gasket	1	
17	594287301	Thrust screw	1	
18	594277801	Hose	1	
19	594290401	Flexible sheating	1	
20	594287501	Thrusting	1	
21	595146201	Oil 30 cm3	1	B
22	595451801	Shaft	1	
23	595158101	Washer	1	
24	595158201	Shock absorber	1	
25	595158301	Washer	1	
26	594266301	Snap ring	1	
27	595451901	Slotted nut	1	

Comments for Page: Vibrating element AX48 rigid cane option

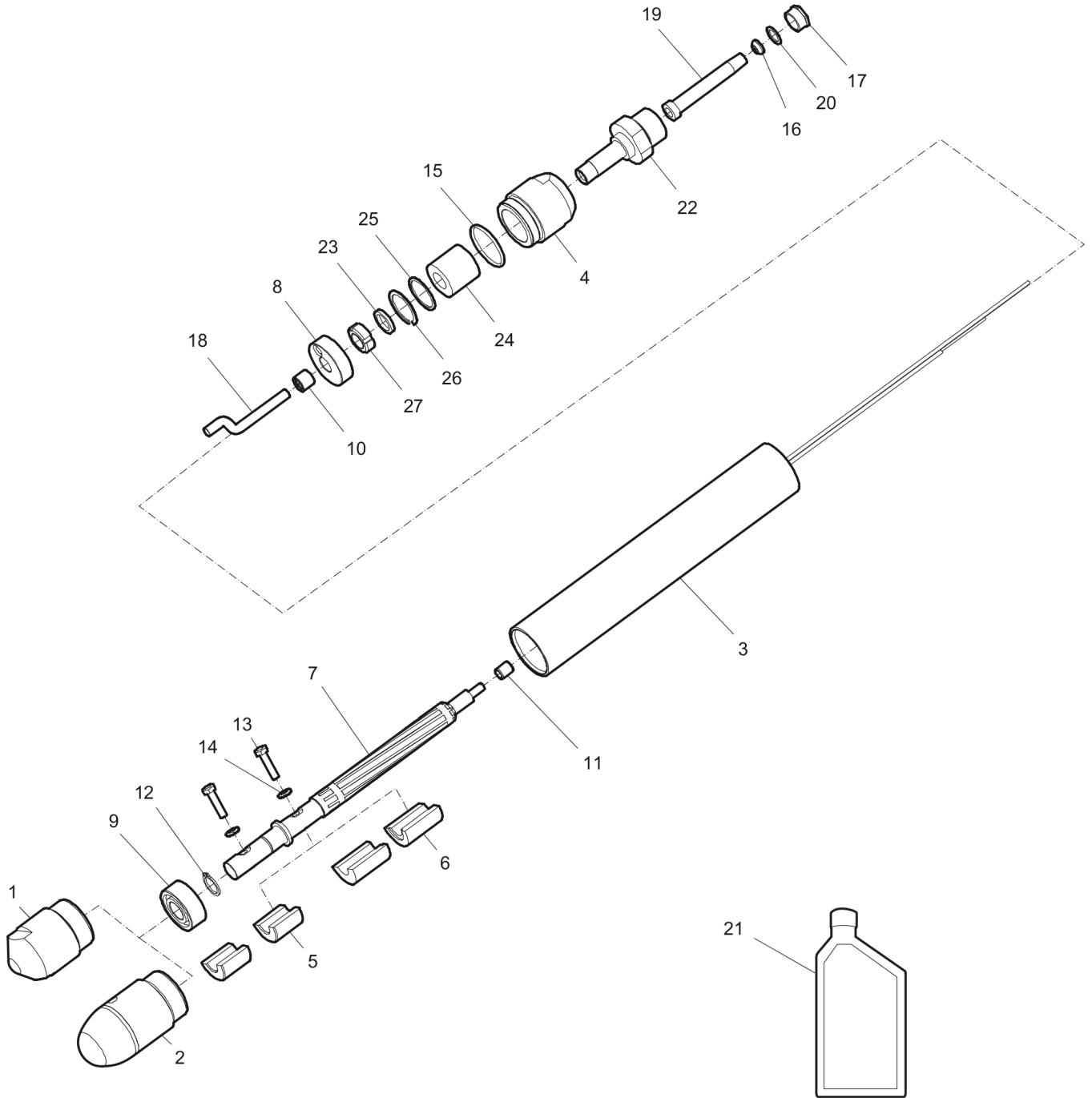
(L)OCAL REMARKS

A | High amplitude (option)

B | 0.01 l

0.33 oz.

Spare parts list Vibrating element AX56 rigid cane option



Refer to the Parts Online web page for most up-to-date information. The printed information might be outdated.

Item	Part No.	Name	Qty	L
1	594397301	End cap	1	
2	595029601	Rubber end cap	1	
3	595450701	Stator tube	1	
4	595451601	Nipple	1	
5	594397601	Eccentric	2	
6	595450801	Eccentric	2	A
7	594289201	Rotor	1	
8	594277601	Bearing holder	1	
9	594289301	Bearing	1	
10	594273601	Bearing	1	
11	-	Bushing	1	
12	594278001	Snap ring	1	
13	-	Screw, H M6 x 30 mm CL8.8 (DIN933)	2	
14	594399401	Washer	2	
15	594266901	O-ring	1	
16	594289001	Gasket	1	
17	594287301	Thrust screw	1	
18	594277801	Hose	1	
19	594290401	Flexible sheating	1	
20	594287501	Thrusting	1	
21	595146201	Oil 30 cm3	1	B
22	595157901	Shaft	1	
23	595451401	Washer	1	
24	595451501	Shock absorber	1	
25	595158001	Washer	1	
26	594266101	Snap ring	1	
27	595451701	Slotted nut	1	

Comments for Page: Vibrating element AX56 rigid cane option

(L)OCAL REMARKS

A | High amplitude (option)

B | 0.01 l

0.33 oz.

**Maintenance kits** Maintenance kit AX36/40 and AX36/40 rigid cane option

NO EXPLODED VIEW  
AVAILABLE  
FOR THIS BOM

Item	Part No.	Name	Qty	L
1	594619601	Maintenance kit for switch box	1	
2	594615701	Screw	2	
3	595117501	O-ring	2	
4	594615601	Rubber membrane	1	
5	594615501	Rubber gasket	1	

**Maintenance kits** Maintenance kit AX48/56/65 & AX48/56/65 rigid cane option

NO EXPLODED VIEW  
AVAILABLE  
FOR THIS BOM

Item	Part No.	Name	Qty	L
1	594635601	Maintenance kit for switch box	1	
2	594631001	Membrane	1	
3	594631101	Gasket	1	
4	595350401	Screw, C S M5 x 10 mm CL4.8 (DIN84A)	4	

**Maintenance kits** Maintenance kit for switch box AX90

NO EXPLODED VIEW  
AVAILABLE  
FOR THIS BOM



Item	Part No.	Name	Qty	L
1	-	Maintenance kit for switch box	1	
2	594814301	Screw, F S M4 x 8 mm CL4.8 (DIN963A)	2	
3	595180501	Screw	4	
4	594278301	Membrane	1	
5	594278401	Gasket	1	
6	594500401	Screw	4	

**Maintenance kits** Switch box cpl AX36 and AX36 rigid cane option

NO EXPLODED VIEW  
AVAILABLE  
FOR THIS BOM

Item	Part No.	Name	Qty	L
1	595201001	Switch box cpl	1	
2	594281701	Clamp	2	
3	594257101	Protective hose, 0.08 m , 3.1 in., Sold per meter.	1	
4	594257701	Wire end	6	
5	595932801	Switch box	1	
6	594615701	Screw	2	
7	595117501	O-ring	2	
8	594630601	Cover	1	
9	594615601	Rubber membrane	1	
10	594615501	Rubber gasket	1	
11	594630401	Switch	1	
12	594286401	Clamp	4	
13	594255201	Clamp	1	
14	594619301	Gland	1	
15	594256801	Flexible sheeting	1	
16	594623101	Hose	2	
17	595145901	Wire end	3	

**Maintenance kits** Switch box cpl AX40 and AX40 rigid cane option

NO EXPLODED VIEW  
AVAILABLE  
FOR THIS BOM

Item	Part No.	Name	Qty	L
1	595201101	Switch box cpl	1	
2	594281701	Clamp	2	
3	594257101	Protective hose, 0.08 m , 3.1 in., Sold per meter.	1	
4	594257701	Wire end	6	
5	594615401	Switch box	1	
6	594615701	Screw	2	
7	595117501	O-ring	2	
8	594630601	Cover	1	
9	594615601	Rubber membrane	1	
10	594615501	Rubber gasket	1	
11	594630401	Switch	1	
12	594286401	Clamp	4	
13	594255201	Clamp	1	
14	594619301	Gland	1	
15	594256801	Flexible sheeting	1	
16	594623101	Hose	2	

**Maintenance kits** Switch Box cpl AX48/56/65 & AX48/56/65 rigid cane option

NO EXPLODED VIEW  
AVAILABLE  
FOR THIS BOM

Item	Part No.	Name	Qty	L
1	594632201	Switch Box complete	1	
2	594962001	Box	1	
3	594631301	Gland	2	
4	594255201	Clamp	1	
5	594281701	Clamp	2	
6	594630901	Cover	1	
7	594627501	Safety label	1	
8	594631001	Membrane	1	
9	594631101	Gasket	1	
10	594256801	Flexible sheeting	1	
11	594552401	Switch	1	
12	594631201	Holder	1	
13	594257701	Wire end	3	
14	595142101	Terminal	6	
15	594290401	Flexible sheating	1	
16	595475501	Label	1	
17	595110501	Screw, F S M4 x 8 mm CL4.8 (DIN963A)	2	
18	595350401	Screw, C S M5 x 10 mm CL4.8 (DIN84A)	8	
19	594121401	Screw, C S M5 x 20 mm CL4.8 (DIN84A)	2	
20	595118401	Cable gland	1	
21	594287301	Thrust screw	1	
22	594287501	Thrusting	1	
23	594289001	Gasket	1	

**Maintenance kits** Switch Box complete AX90

NO EXPLODED VIEW  
AVAILABLE  
FOR THIS BOM



Item	Part No.	Name	Qty	L
1	-	Switch Box complete AX90	1	
2	595110501	Screw, F S M4 x 8 mm CL4.8 (DIN963A)	2	
3	595350401	Screw, C S M5 x 10 mm CL4.8 (DIN84A)	8	
4	594121401	Screw, C S M5 x 20 mm CL4.8 (DIN84A)	2	
5	595118401	Cable gland	1	
6	594253801	Clamp	1	
7	594256201	Clamp	2	
8	594256801	Flexible sheeting	1	
9	594257701	Wire end	3	
10	595142101	Terminal	6	
11	594267601	O-ring	1	
12	595147301	Hose holder	1	
13	594552401	Switch	1	
14	595475501	Label	1	
15	594627501	Safety label	1	
16	594630901	Cover	1	
17	594631001	Membrane	1	
18	594631101	Gasket	1	
19	594631201	Holder	1	
20	594631301	Gland	2	
21	-	Switch box AX90	1	

**Maintenance kits** Switch Complete AX36/40

NO EXPLODED VIEW  
AVAILABLE  
FOR THIS BOM

Item	Part No.	Name	Qty	L
1	-	Switch Complete AX36/40	1	
2	594630401	Switch	1	
3	594615701	Screw	2	
4	594615601	Rubber membrane	1	

**Maintenance kits** Switch complete AX48/56/65

NO EXPLODED VIEW  
AVAILABLE  
FOR THIS BOM

Item	Part No.	Name	Qty	L
1	-	Switch complet AX48/56/65	1	
2	594552401	Switch	1	
3	594631201	Holder	1	
4	595110501	Screw, F S M4 x 8 mm CL4.8 (DIN963A)	2	

**Maintenance kits** Switch Complate AX90

NO EXPLODED VIEW  
AVAILABLE  
FOR THIS BOM

Item	Part No.	Name	Qty	L
1	-	Switch Complete AX90	1	
2	594552401	Switch	1	
3	594262401	Holder	1	
4	594814301	Screw, F S M4 x 8 mm CL4.8 (DIN963A)	2	
5	595180501	Screw	4	

**Maintenance kits** Vibrating head kit AX36 and AX36 rigid cane option

NO EXPLODED VIEW  
AVAILABLE  
FOR THIS BOM



Item	Part No.	Name	Qty	L
1	595452101	Vibrating head kit	1	
2	594290301	Bearing	1	
3	594267901	O-ring	1	
4	594257001	Terminal	3	
5	594272201	Needle bearing	1	
6	594272301	Ring	1	
7	594289001	Gasket	1	
8	594290401	Flexible sheating	1	
9	594257501	Thermo insulating	3	

**Maintenance kits** Vibrating head kit AX40 and AX40 rigid cane option

NO EXPLODED VIEW  
AVAILABLE  
FOR THIS BOM

Item	Part No.	Name	Qty	L
1	594387701	Vibrating head kit	1	
2	594290301	Bearing	1	
3	594272201	Needle bearing	1	
4	594272301	Ring	1	
5	594268001	O-ring	1	
6	594289001	Gasket	1	
7	594290401	Flexible sheating	1	

**Maintenance kits** Vibrating head kit AX48 and AX48 rigid cane option

NO EXPLODED VIEW  
AVAILABLE  
FOR THIS BOM

Item	Part No.	Name	Qty	L
1	594817201	Vibrating head kit	1	
2	594289601	Bearing	1	
3	594272201	Needle bearing	1	
4	594272301	Ring	1	
5	594286301	Retaining ring	1	
6	594266901	O-ring	1	
7	594289001	Gasket	1	
8	594290401	Flexible sheating	1	

**Maintenance kits** Vibrating head kit AX56 and AX56 rigid cane option

NO EXPLODED VIEW  
AVAILABLE  
FOR THIS BOM

Item	Part No.	Name	Qty	L
1	594387801	Vibrating head kit	1	
2	594289301	Bearing	1	
3	594273601	Bearing	1	
4	594273701	Ring	1	
5	594278001	Snap ring	1	
6	594266901	O-ring	1	
7	594289001	Gasket	1	
8	594290401	Flexible sheating	1	

**Maintenance kits** Vibrating head kit AX65

NO EXPLODED VIEW  
AVAILABLE  
FOR THIS BOM



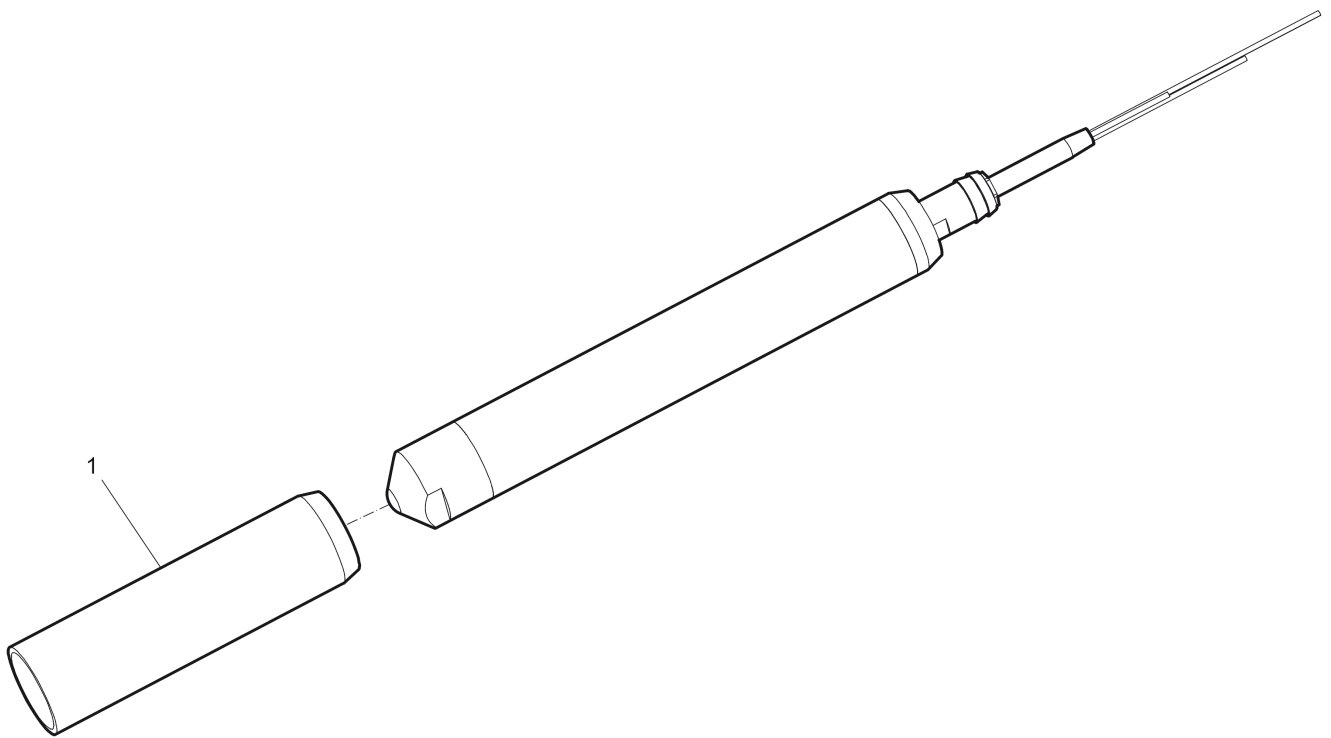
Item	Part No.	Name	Qty	L
1	594387901	Vibrating head kit	1	
2	594290001	Bearing	1	
3	594273601	Bearing	1	
4	594273701	Ring	1	
5	594278001	Snap ring	1	
6	594268301	O-ring	1	
7	594289001	Gasket	1	
8	594290401	Flexible sheating	1	

**Maintenance kits** Vibrating Head Kit AX90

NO EXPLODED VIEW  
AVAILABLE  
FOR THIS BOM

Item	Part No.	Name	Qty	L
1	595493701	Vibrating Head Kit AX90	1	
2	595145601	O-ring	1	
3	594284001	Cap	1	
4	594256001	Bearing	1	
5	594272101	Bearing	2	
6	595144401	Circlip ring	1	
7	595141601	Stuffing box	1	
8	595061301	Spring washer	1	
9	595147001	Spring washer	2	

**Accessories** Welded tube AX48



Item	Part No.	Name	Qty	L
1	594291701	Welded tube	1	A

Comments for Page: Welded tube AX48

(L)OCAL REMARKS

A | The tube must be welded to the vibrator head.

Any unauthorized use or copying of the contents or any part thereof is prohibited.  
This applies in particular to trademarks, model denominations, part numbers, and  
drawings.