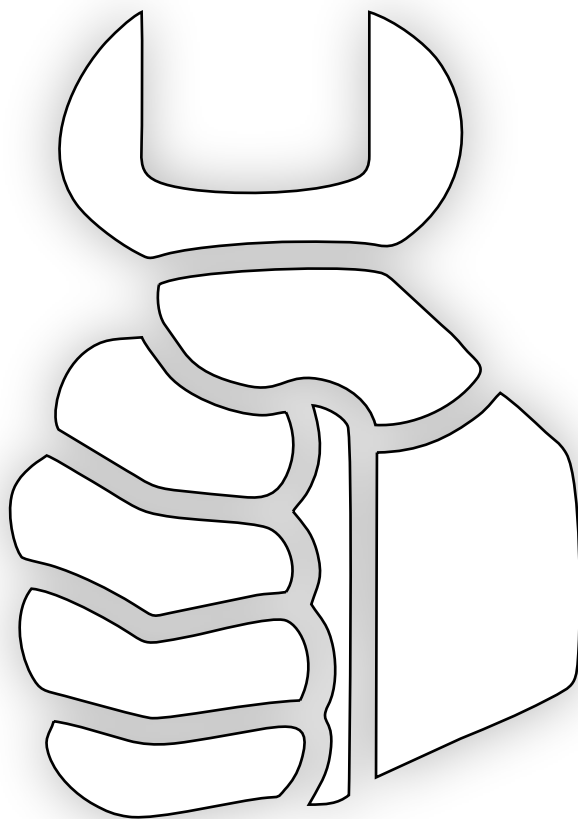


Parts online

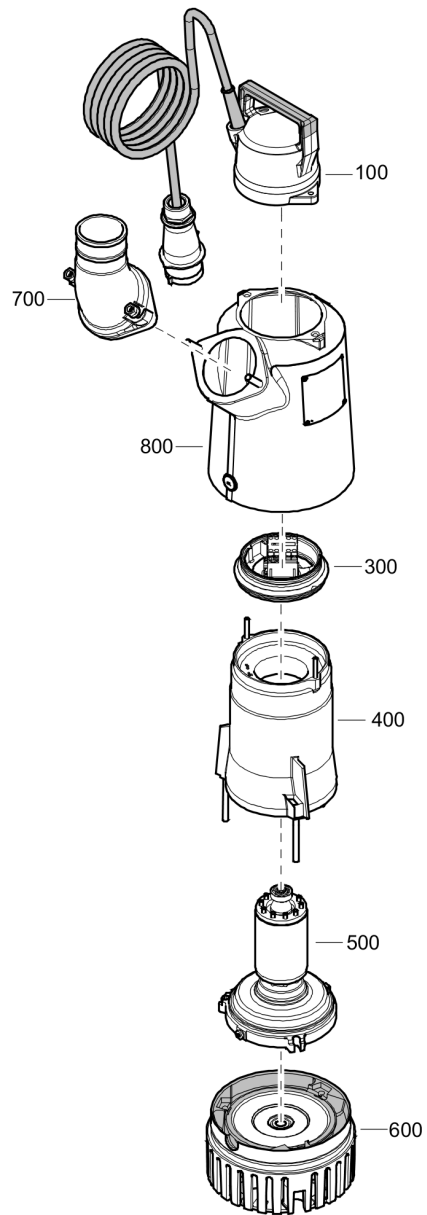
Spare parts list



Contents

| | |
|---------------------------------------|-------------|
| 4812050144 Overview | 1 |
| Service | |
| 470W743428 Gasket kit | 3 |
| 1605225400 Oil | 5 |
| 1607900900 Wear part kit WEDA30L 50Hz | 7 |
| 1607901000 Wear part kit WEDA30N 50Hz | 9 |
| 1607901200 Wear part kit WEDA30N 60Hz | 11 |
| 1603498000 Wear part kit WEDA40 50Hz | 13 |
| 1603498100 Wear part kit WEDA40 60Hz | 15 |
| Mechanical | |
| 9822167000 Outer casing | 17 |
| Hydraulic system | |
| 9822166900 Lower bracket | 19 |
| Wet end | |
| Wet end WEDA 30 | |
| 1607900900 Wear part kit WEDA30L 50Hz | See page 7 |
| 1607901000 Wear part kit WEDA30N 50Hz | See page 9 |
| 1607901200 Wear part kit WEDA30N 60Hz | See page 11 |
| Wet end WEDA 40 | |
| 1603498000 Wear part kit WEDA40 50Hz | See page 13 |
| 1603498100 Wear part kit WEDA40 60Hz | See page 15 |
| Electric system | |
| Cover | |
| 9822167200 Contactor cover 3ph | 23 |
| 9822167100 Contactor cover 1ph | 25 |
| 470W214842 Float switch | 27 |
| Starter | |
| 9822164900 Upper bracket cpl | 29 |
| Stator | |
| Stator WEDA 30 | |
| 4812050570 Stator unit WEDA30 | 31 |
| Stator WEDA 40 | |
| 4812050571 Stator unit WEDA40 | 33 |
| Options / accessories | |
| 470W224848 Low suction collar | 35 |
| 470W157811 Motor protection plug | 37 |
| 470W209289 Zinc anodes kit | 39 |
| Discharge | |
| 470W209289 Discharge kit 3" | 41 |
| 470W203484 Discharge kit 3" BSP | 43 |
| 470W203570 Discharge kit 3" NPT | 45 |
| 470W203564 Discharge kit 4" hose | 47 |
| 470W203482 Discharge kit 4" BSP | 49 |
| 470W203572 Discharge kit 4" NPT | 51 |

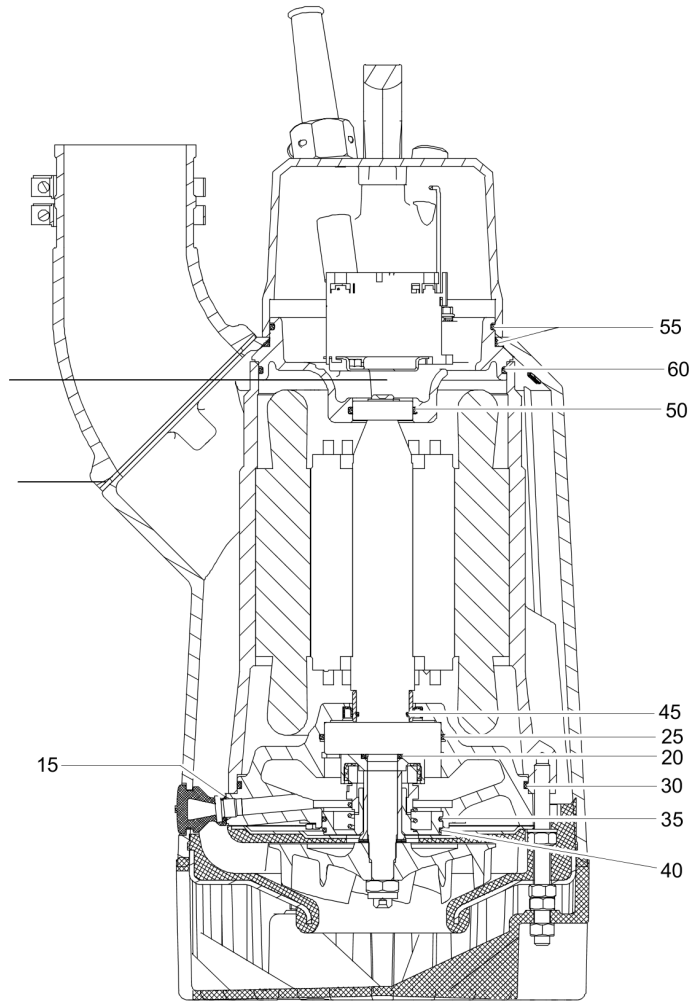
4812050144 Overview



Refer to the Parts Online web page for most up-to-date information. The printed information might be outdated.

| Item | Part No. | Name | Qty | L |
|------|----------|-------------------|-----|---|
| 100 | - | Contactator cover | 1 | |
| 300 | - | Upper bracket | 1 | |
| 400 | - | Stator unit | 1 | |
| 500 | - | Lower bracket | 1 | |
| 600 | - | Wet end | 1 | |
| 700 | - | Discharge kit | 1 | |
| 800 | - | Outer casing | 1 | |

Service 470W743428 Gasket kit

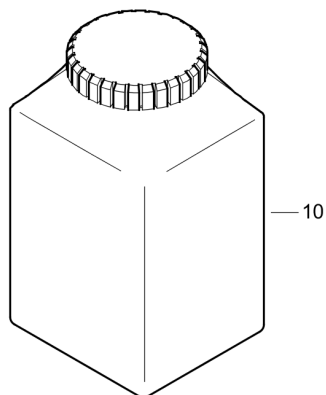


Refer to the Parts Online web page for most up-to-date information. The printed information might be outdated.

| Item | Part No. | Name | Qty | L |
|------|------------|------------|-----|---|
| - | 470W743428 | Gasket kit | 1 | |
| 10 | 470W214622 | Washer | 2 | |
| 15 | 4700W65006 | O-ring | 1 | |
| 20 | 470W740293 | O-ring | 1 | |
| 25 | 0663211128 | O-ring | 1 | |
| 30 | 4700W65119 | O-ring | 1 | |
| 35 | 4700W65101 | O-ring | 1 | |
| 40 | 4700W65102 | O-ring | 1 | |
| 45 | 4700160314 | O-ring | 1 | |
| 50 | 4700W65021 | O-ring | 1 | |
| 55 | 4700W65112 | O-ring | 2 | |
| 60 | 4700W65115 | O-ring | 1 | |
| 70 | 470W743466 | Gasket | 1 | |

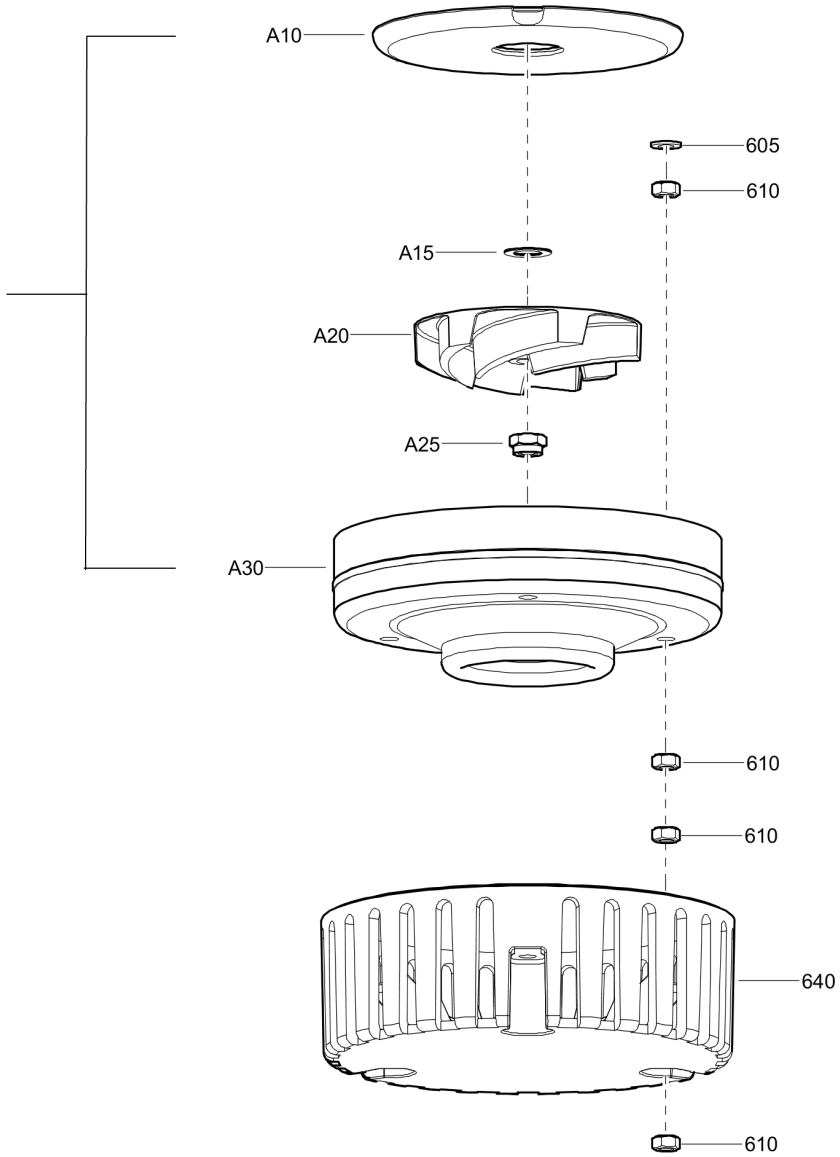
Refer to the Parts Online web page for most up-to-date information. The printed information might be outdated.

Service 1605225400 Oil



| Item | Part No. | Name | Qty | L |
|------|------------|----------|-----|---|
| 10 | 1605225400 | Oil 2l | 1 | |
| 15 | 1605225500 | Oil 0,5l | 1 | |

Service 1607900900 Wear part kit WEDA30L 50Hz

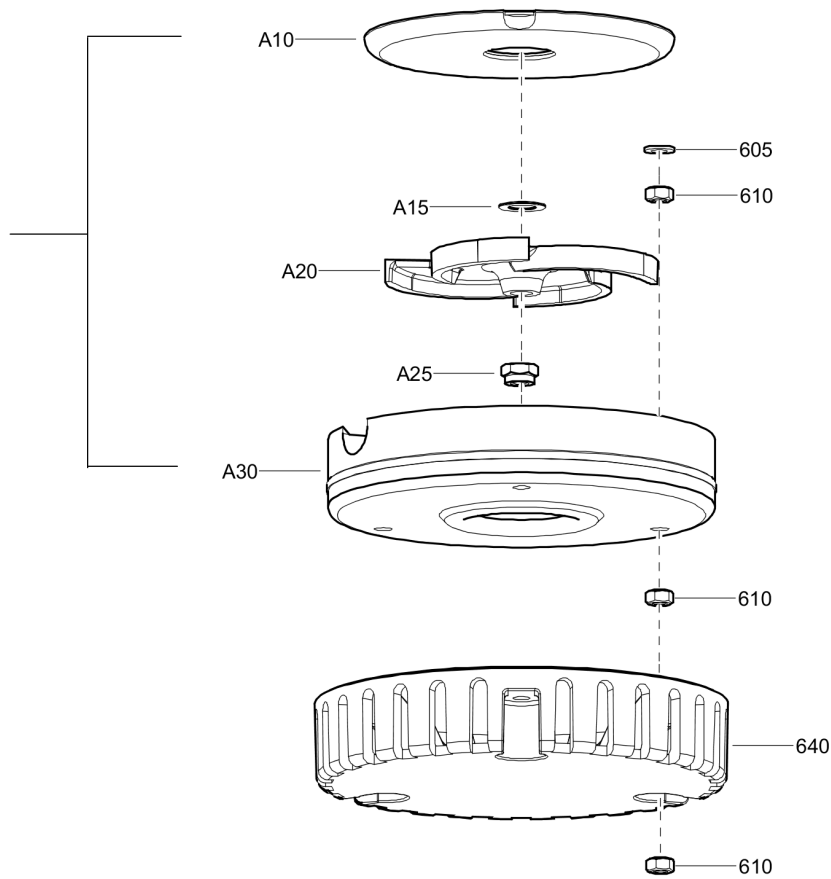


Refer to the Parts Online web page for most up-to-date information. The printed information might be outdated.

| Item | Part No. | Name | Qty | L |
|------|------------|------------------------|-----|---|
| 605 | 4700W51168 | Washer | 3 | |
| 610 | 4700W84209 | Nut | 12 | |
| 640 | 470W222527 | Strainer | 1 | |
| 645 | 470W224912 | Wear part kit 30L 50Hz | 1 | |
| A10 | 470W223522 | Wear plate | 1 | |
| A15 | 470W224538 | Trimming spacer | 4 | |
| A20 | 470W243237 | Impeller | 1 | |
| A25 | 470W604272 | Nut | 1 | |
| A30 | 470W242231 | Diffusor | 1 | |

Refer to the Parts Online web page for most up-to-date information. The printed information might be outdated.

Service 1607901000 Wear part kit WEDA30N 50Hz

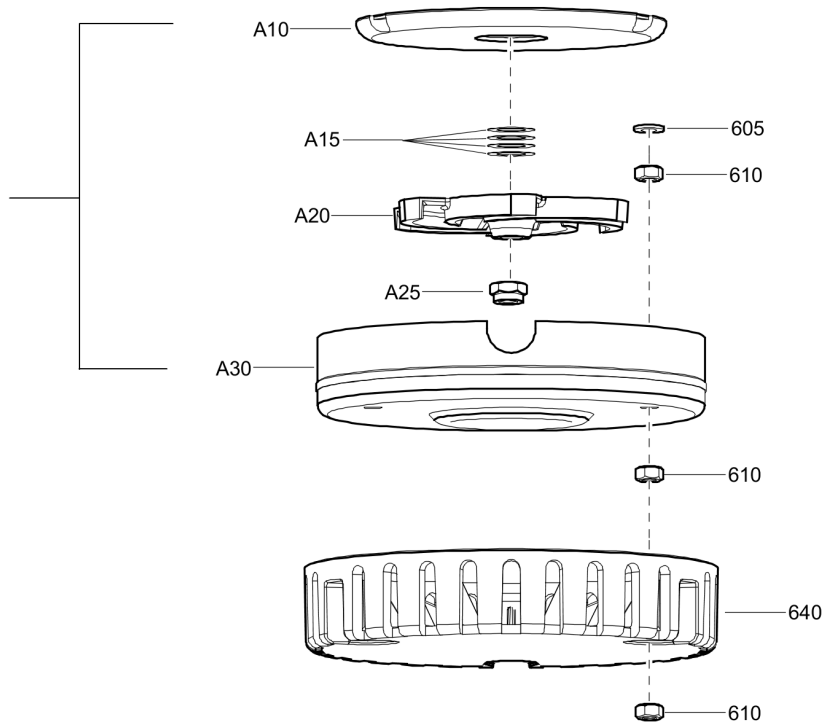


Refer to the Parts Online web page for most up-to-date information. The printed information might be outdated.

| Item | Part No. | Name | Qty | L |
|------|------------|------------------------|-----|---|
| 605 | 4700W51168 | Washer | 3 | |
| 610 | 4700W84209 | Nut | 9 | |
| 640 | 470W222527 | Strainer | 1 | |
| 645 | 470W224914 | Wear part kit 30N 50Hz | 1 | |
| A30 | 470W222523 | Diffusor | 1 | |
| A25 | 470W604272 | Nut | 1 | |
| A20 | 470W223516 | Impeller 30N 50Hz | 1 | |
| A15 | 470W224538 | Trimming spacer | 4 | |
| A10 | 470W223522 | Wear plate | 1 | |

Refer to the Parts Online web page for most up-to-date information. The printed information might be outdated.

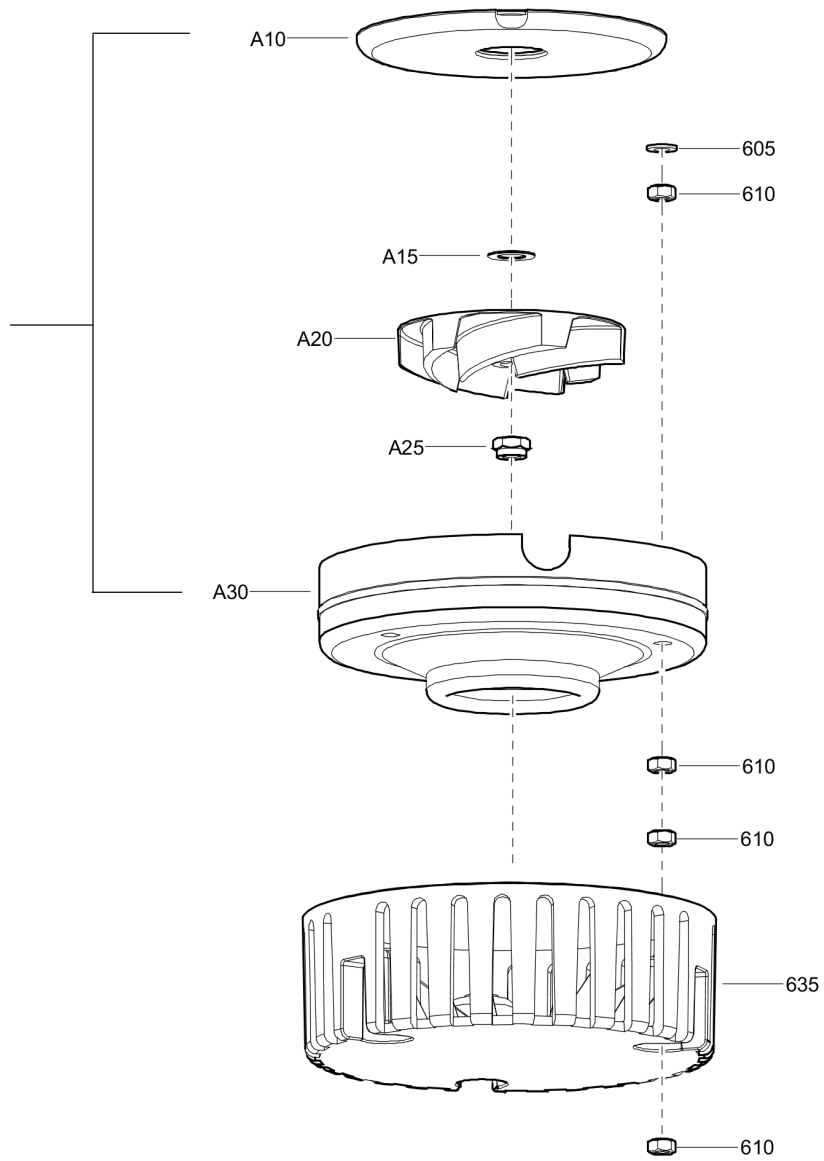
Service 1607901200 Wear part kit WEDA30N 60Hz



| Item | Part No. | Name | Qty | L |
|------|------------|------------------------|-----|---|
| 605 | 4700W51168 | Washer | 3 | |
| 610 | 4700W84209 | Nut | 9 | |
| 640 | 470W222527 | Strainer | 1 | |
| 645 | 470W224915 | Wear part kit 30N 60Hz | 1 | |
| A10 | 470W223522 | Wear plate | 1 | |
| A15 | 470W224538 | Trimming spacer | 4 | |
| A20 | 470W223601 | Impeller 30N 60Hz | 1 | |
| A25 | 470W604272 | Nut | 1 | |
| A30 | 470W222523 | Diffusor | 1 | |

Refer to the Parts Online web page for most up-to-date information. The printed information might be outdated.

Service 1603498000 Wear part kit WEDA40 50Hz

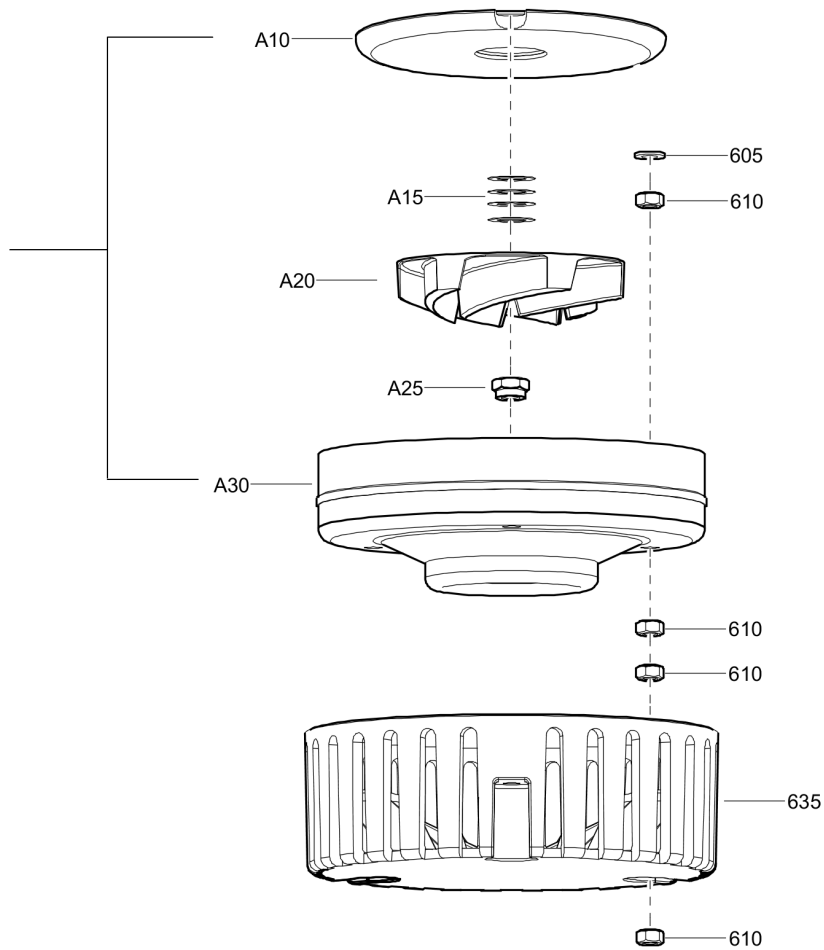


Refer to the Parts Online web page for most up-to-date information. The printed information might be outdated.

| Item | Part No. | Name | Qty | L |
|------|------------|-----------------------|-----|---|
| 605 | 4700W51168 | Washer | 3 | |
| 610 | 4700W84209 | Nut | 12 | |
| 635 | 470W222527 | Strainer | 1 | |
| 645 | 470W743434 | Wear part kit 40 50Hz | 1 | |
| A10 | 470W223522 | Wear plate | 1 | |
| A15 | 470W224538 | Trimming spacer | 4 | |
| A20 | 470W243236 | Impeller 40 50Hz | 1 | |
| A25 | 470W604272 | Nut | 1 | |
| A30 | 470W242231 | Diffusor | 1 | |

Refer to the Parts Online web page for most up-to-date information. The printed information might be outdated.

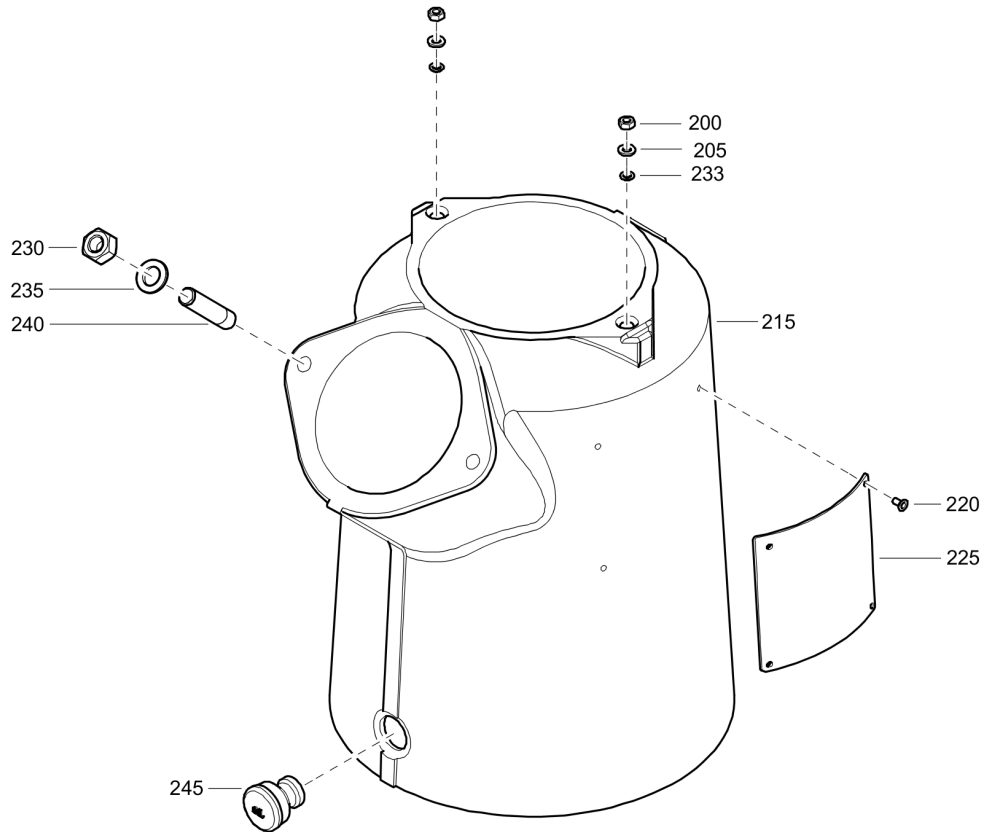
Service 1603498100 Wear part kit WEDA40 60Hz



Refer to the Parts Online web page for most up-to-date information. The printed information might be outdated.

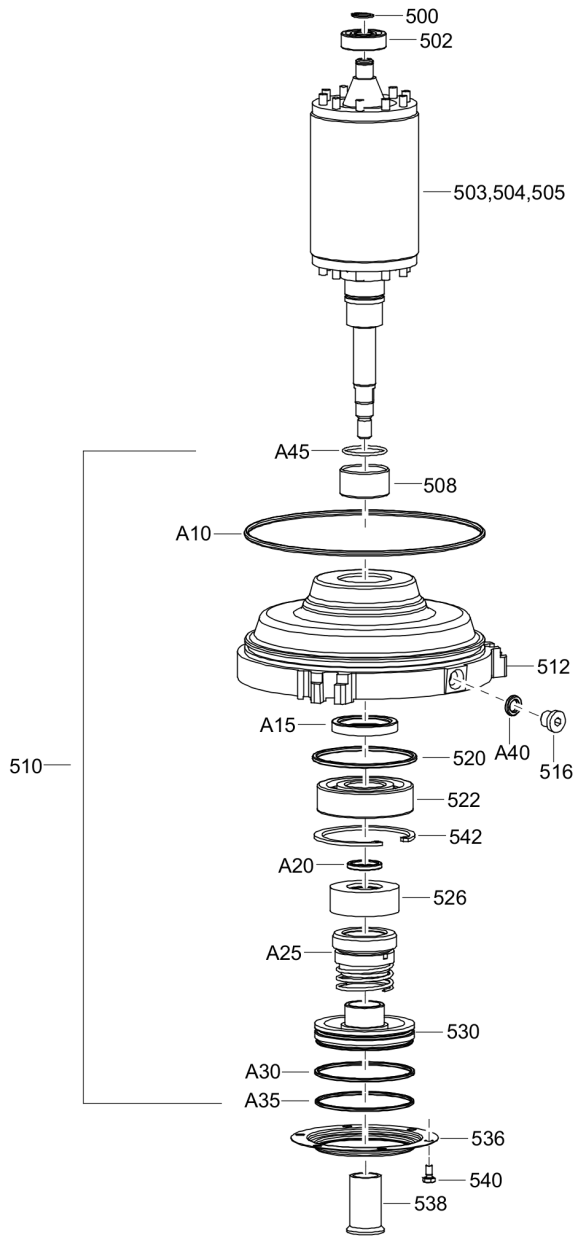
| Item | Part No. | Name | Qty | L |
|------|------------|-----------------------|-----|---|
| 605 | 4700W51168 | Washer | 3 | |
| 610 | 4700W84209 | Nut | 12 | |
| 635 | 470W222527 | Strainer | 1 | |
| 645 | 470W743435 | Wear part kit 40 60Hz | 1 | |
| A10 | 470W223522 | Wear plate | 1 | |
| A15 | 470W224538 | Trimming spacer | 4 | |
| A20 | 470W243237 | Impeller | 1 | |
| A25 | 470W604272 | Nut | 1 | |
| A30 | 470W242231 | Diffusor | 1 | |

Mechanical 9822167000 Outer casing



| Item | Part No. | Name | Qty | L |
|------|------------|---------------------------------------|-----|---|
| 200 | 4700W84207 | Nut | 2 | |
| 205 | 4700W51163 | Washer | 2 | |
| 215 | 470W241229 | Outer casing | 1 | |
| 220 | 4700W65431 | Rivet | 4 | |
| 225 | - | Data plate (not available separately) | 1 | |
| 230 | 4700W84210 | Nut | 2 | |
| 233 | 470W214622 | Washer | 2 | |
| 235 | 4700W51170 | Washer | 2 | |
| 240 | 4700W69642 | Stud bolt | 2 | |
| 245 | 470W224880 | Plug | 1 | |

Hydraulic system 9822166900 Lower bracket



Refer to the Parts Online web page for most up-to-date information. The printed information might be outdated.

| Item | Part No. | Name | Qty | L |
|------|------------|------------------|-----|---|
| 500 | 0335111400 | Circlip | 1 | |
| 502 | 4700W61007 | Ball bearing | 1 | |
| 503 | 1605246800 | Rotor WEDA30 1ph | 1 | |
| 504 | 4812050509 | Rotor WEDA40 3ph | 1 | |
| 505 | 4812050510 | Rotor WEDA30 3ph | 1 | |
| 508 | 4812050228 | Wearing sleeve | 1 | |
| 510 | 4812050573 | Seal kit | 1 | |
| A10 | 4700W65119 | O-ring | 1 | |
| A15 | 4812050513 | Seal | 1 | |
| A20 | 470W740293 | O-ring | 1 | |
| A25 | 4812050221 | Seal lower | 1 | |
| A30 | 4700W65101 | O-ring | 1 | |
| A35 | 4700W65102 | O-ring | 1 | |
| A40 | 4700W65006 | O-ring | 1 | |
| A45 | 4700160314 | O-ring | 1 | |
| 512 | 4812050508 | Bearing bracket | 1 | |
| 516 | 470W254042 | Plug | 1 | |
| 520 | 0663211128 | O-ring | 1 | |
| 522 | 4700W61021 | Bearing | 1 | |
| 526 | 470W740280 | Seal holder | 1 | |
| 530 | 4812050512 | Seal cover | 1 | |
| 536 | 470W224910 | Flange plate | 1 | |
| 538 | 4812050511 | Sleeve | 1 | |
| 540 | 4700W76242 | Screw | 6 | |
| 542 | 4700W50659 | Circlip | 1 | |

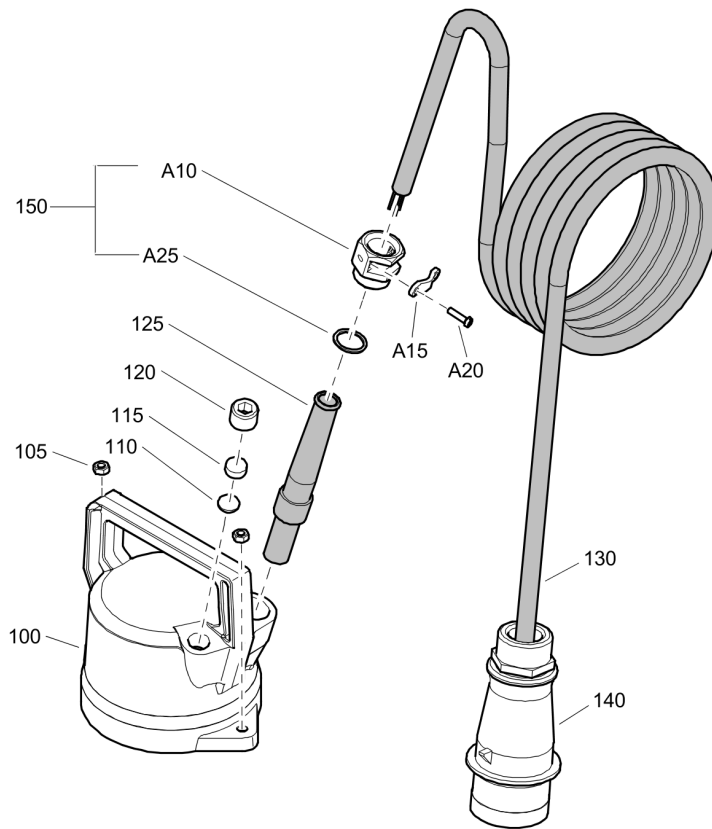
Referenced Pages

| | |
|---|----|
| 1607900900 Wear part kit WEDA30L 50Hz | 7 |
| 1607901000 Wear part kit WEDA30N 50Hz | 9 |
| 1607901200 Wear part kit WEDA30N 60Hz | 11 |

Referenced Pages

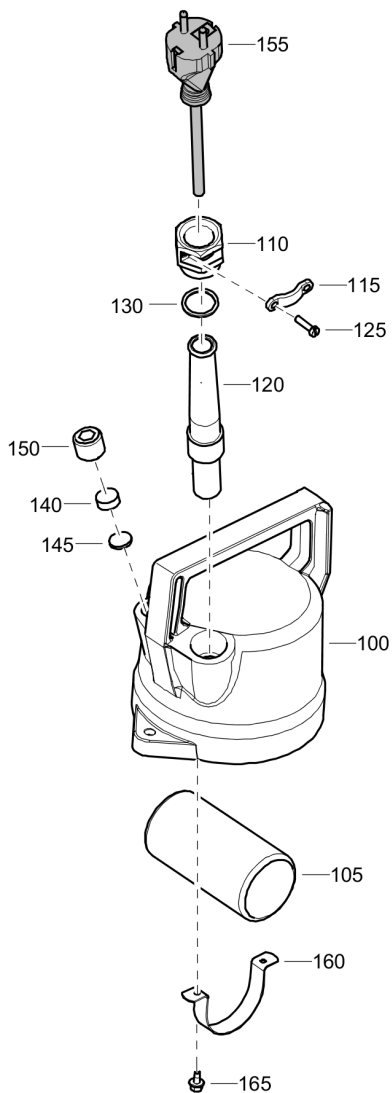
| | |
|--|----|
| 1603498000 Wear part kit WEDA40 50Hz | 13 |
| 1603498100 Wear part kit WEDA40 60Hz | 15 |

Cover 9822167200 Contactor cover 3ph



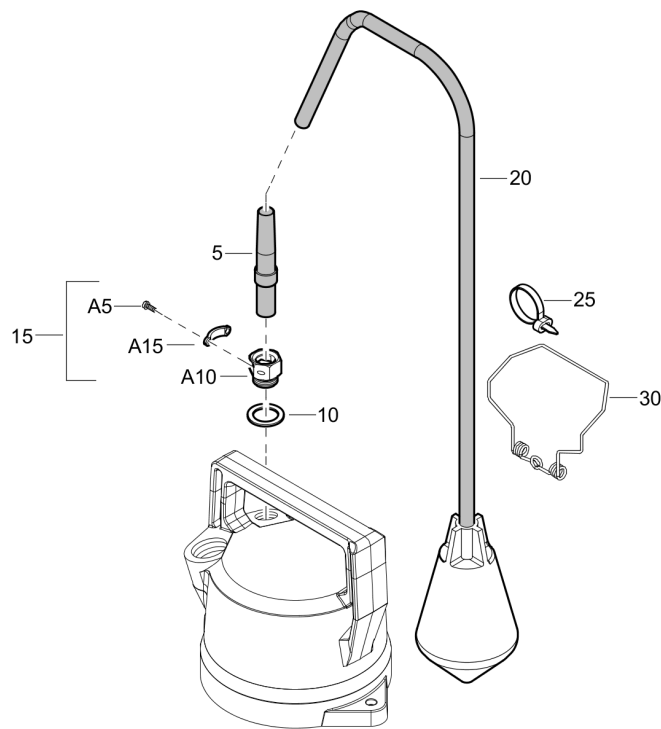
| Item | Part No. | Name | Qty | L |
|------|------------|---------------------------|-----|---|
| 100 | 470W212849 | Contacto cover | 1 | |
| 105 | 4700W84207 | Nut | 2 | |
| 110 | 470W214833 | Washer | 1 | |
| 115 | 470W214829 | Gasket | 1 | |
| 120 | 470W214828 | Plug | 1 | |
| 125 | 470W214838 | Cable sleeve 4x1,5mm2 | 1 | |
| 126 | 470W214394 | Cable sleeve | 1 | |
| 130 | 470W214847 | Cable 4x1,5mm2 | 1 | |
| 131 | 470W367175 | Cable 4xawg16 | 1 | |
| 140 | 1089049558 | Plug cee16a | 1 | |
| 150 | 470W214639 | Cable inlet CPL | 1 | |
| A10 | 470W214614 | Cable inlet | 1 | |
| A15 | 470W214638 | Cable keep | 1 | |
| A20 | 4700W78670 | Slotted cheese head screw | 2 | |
| A25 | 470W214493 | Washer | 1 | |

Cover 9822167100 Contactor cover 1ph



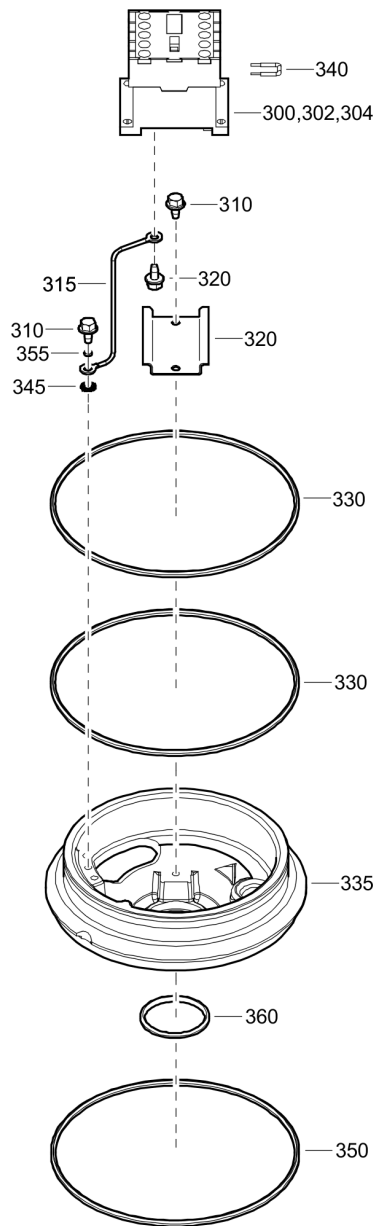
| Item | Part No. | Name | Qty | L |
|------|------------|---------------------------|-----|---|
| 100 | 470W212849 | Contacto cover | 1 | |
| 105 | 470W743418 | Capacitor | 1 | |
| 110 | 470W214614 | Cable inlet | 1 | |
| 115 | 470W214638 | Cable keep | 1 | |
| 120 | 470W214394 | Cable sleeve | 1 | |
| 125 | 4700W78670 | Slotted cheese head screw | 2 | |
| 130 | 470W214493 | Washer | 1 | |
| 140 | 470W214829 | Gasket | 1 | |
| 145 | 470W214833 | Washer | 1 | |
| 150 | 470W214828 | Plug | 1 | |
| 155 | 4700137306 | Cable with plug | 1 | |
| 155 | 470W367173 | Cable soow 3xawg14 | 1 | |
| 160 | 470W214841 | Capacitor holder | 1 | |
| 165 | 470W209902 | Screw | 2 | |

Cover 470W214842 Float switch



| Item | Part No. | Name | Qty | L |
|------|------------|------------------|-----|---|
| - | 470W214842 | Float switch kit | 1 | |
| 5 | 470W214826 | Cable sleeve | 1 | |
| 10 | 470W214825 | Washer | 1 | |
| 15 | 470W743411 | Cable inlet cpl. | 1 | |
| A5 | 4700W78652 | Screw | 2 | |
| A10 | 470W214823 | Cable inlet | 1 | |
| A15 | 470W214824 | Cable keep | 1 | |
| A10 | 470W214823 | Cable inlet | 1 | |
| A15 | 470W214824 | Cable keep | 1 | |
| A5 | 4700W78652 | Screw | 2 | |
| 20 | 1605261450 | Float switch | 1 | |
| 25 | 470W743412 | Clamp | 1 | |
| 30 | 470W213843 | Holder | 1 | |

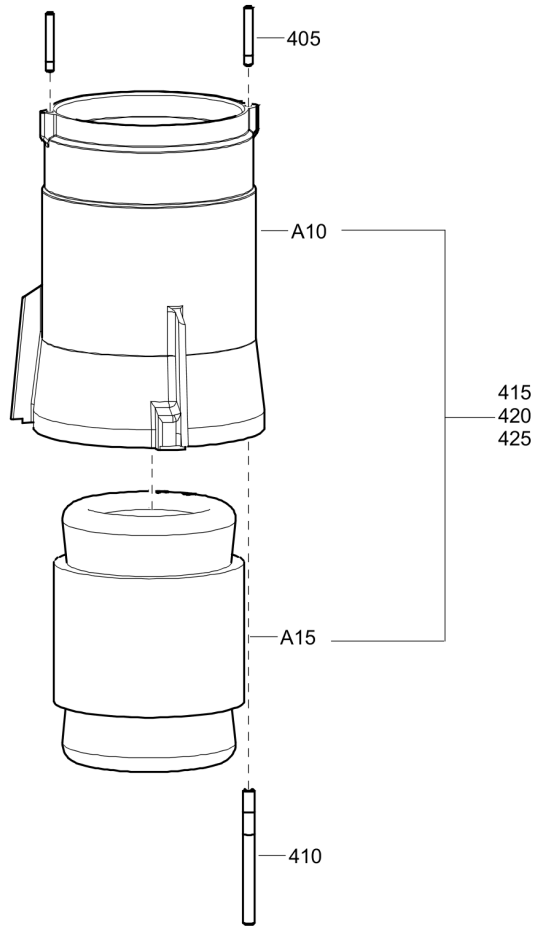
Starter 9822164900 Upper bracket cpl



Refer to the Parts Online web page for most up-to-date information. The printed information might be outdated.

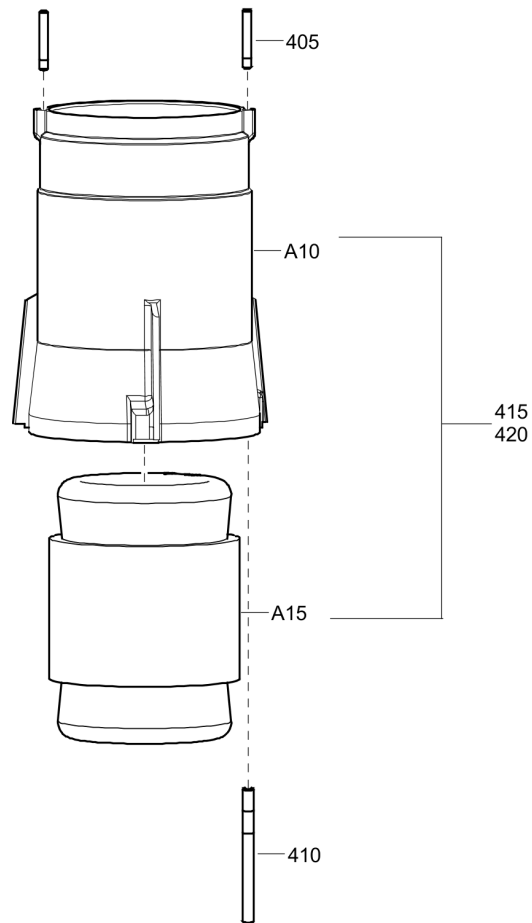
| Item | Part No. | Name | Qty | L |
|------|------------|-----------------------|-----|---|
| 300 | 470W209884 | Contactactor 400V | 1 | |
| 302 | 470W209882 | Contactactor 230V | 1 | |
| 304 | 470W209886 | Contactactor 500V | 1 | |
| 310 | 470W209902 | Screw | 4 | |
| 315 | 470W743496 | Wire CPL | 1 | |
| 320 | 470W214871 | Rail | 3 | |
| 330 | 4700W65112 | O-ring | 2 | |
| 340 | 470W214827 | Wire | 1 | |
| 335 | 470W208138 | Bearing bracket upper | 1 | |
| 345 | 4700W50727 | Lock washer | 1 | |
| 355 | 4700W58956 | Spring washer | 1 | |
| 350 | 4700W65115 | O-ring | 1 | |
| 360 | 4700W65021 | O-ring | 1 | |

Stator WEDA 30 4812050570 Stator unit WEDA30



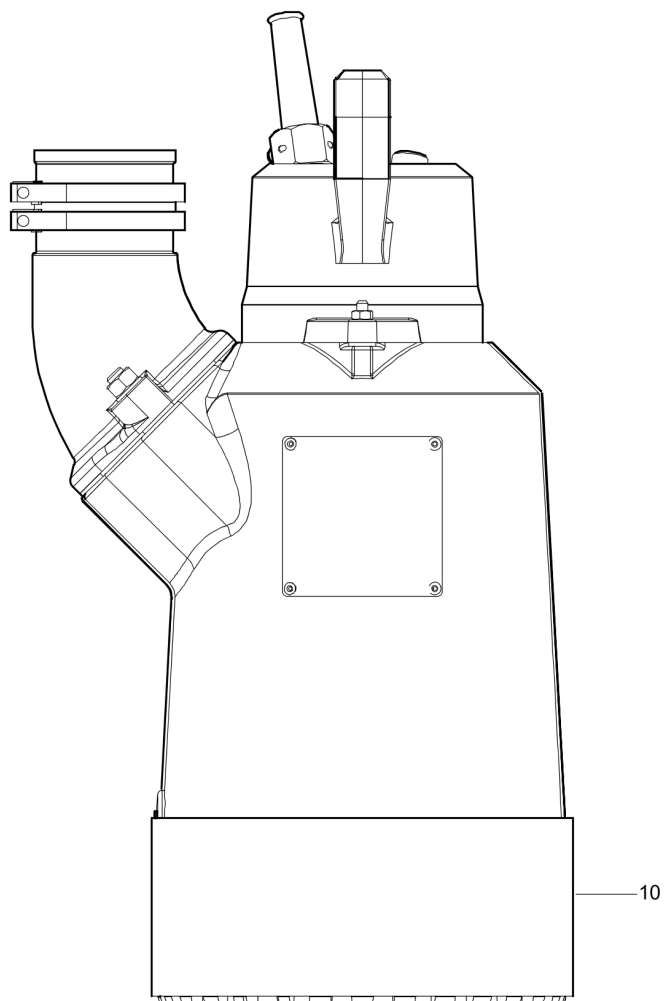
| Item | Part No. | Name | Qty | L |
|------|------------|---------------------------------|-----|---|
| 405 | 4700W69617 | Stud bolt | 2 | |
| 410 | 470W224539 | Stud | 3 | |
| 415 | 4812050570 | Stator unit 230V-1-50/60Hz | 1 | |
| A10 | 470W724012 | Inner casing | 1 | |
| A15 | 4812050514 | Stator 230V-1-50/60Hz | 1 | |
| 420 | 4812050572 | Stator unit 230/400V-50/60Hz | 1 | |
| A10 | 470W724012 | Inner casing | 1 | |
| A16 | 4812050568 | Stator 230-240/400-460V-50/60Hz | 1 | |
| 425 | 607928900 | Stator unit 290/500V-3-50Hz | 1 | |
| A10 | 470W724012 | Inner casing | 1 | |
| A17 | 470W733432 | Stator 290/500V-3-50Hz | 1 | |

Stator WEDA 40 4812050571 Stator unit WEDA40



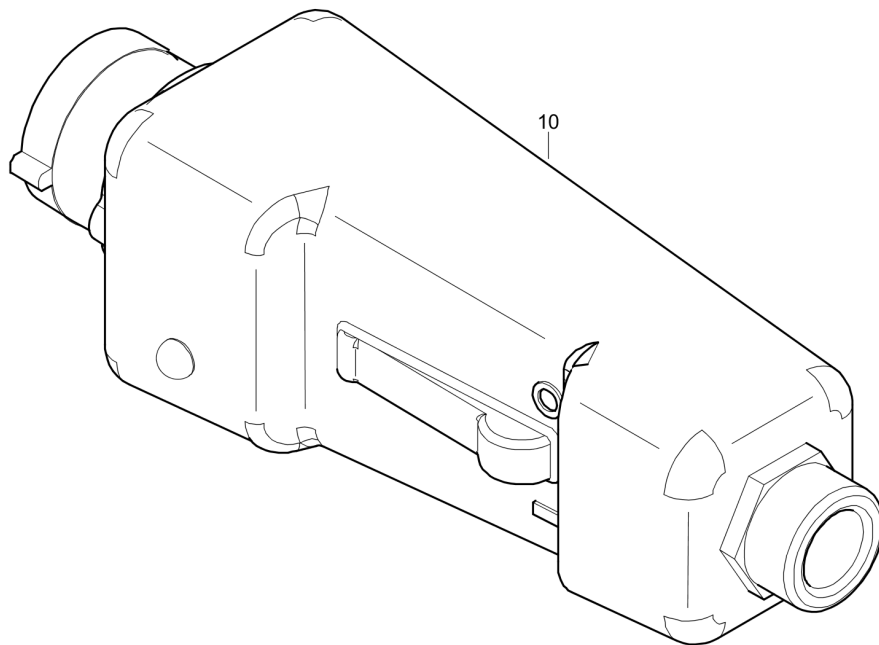
| Item | Part No. | Name | Qty | L |
|------|------------|--|-----|---|
| 405 | 4700W69617 | Stud bolt | 2 | |
| 410 | 470W224539 | Stud | 3 | |
| 415 | 4812050571 | Stator unit 230-240/400-460V-3-50/60Hz | 1 | |
| A10 | 470W724012 | Inner casing | 1 | |
| A15 | 4812050567 | Stator 230-240/400-460V-3-50/60Hz | 1 | |
| 420 | 1607929000 | Stator unit 290/500V-3-50Hz | 1 | |
| A10 | 470W724012 | Inner casing | 1 | |
| A16 | 470W724061 | Stator 290/500V-3-50Hz | 1 | |

Options / accessories 470W224848 Low suction collar



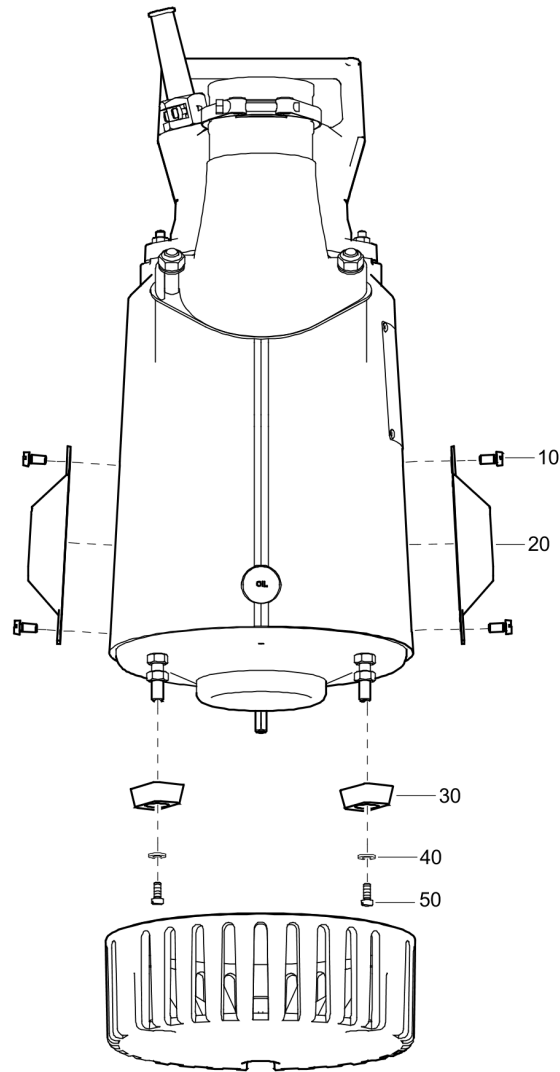
| Item | Part No. | Name | Qty | L |
|------|------------|--------------------|-----|---|
| 10 | 470W224848 | Low suction collar | 1 | |

Options / accessories 470W157811 Motor protection plug



| Item | Part No. | Name | Qty | L |
|------|------------|-----------------------|-----|---|
| 10 | 470W157811 | Motor protection plug | 1 | |

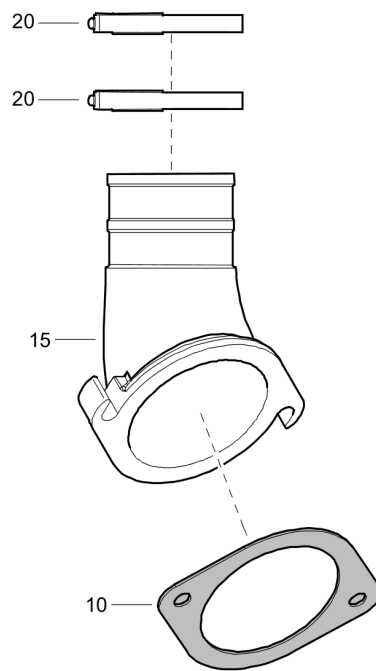
Options / accessories 470W209289 Zinc anodes kit



| Item | Part No. | Name | Qty | L |
|------|------------|----------------|-----|---|
| - | 470W209289 | Zinc anode kit | 1 | |
| 10 | 4700W78699 | Screw | 4 | |
| 20 | 470W209273 | Zinc anode | 2 | |
| 30 | 470W209275 | Zinc anode | 3 | |
| 40 | 4700W51164 | Washer | 3 | |
| 50 | 4700W78698 | Screw | 3 | |

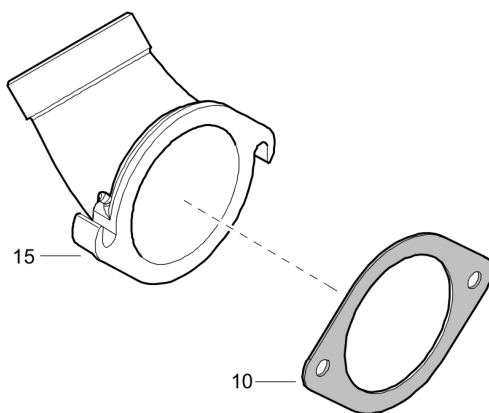
Refer to the Parts Online web page for most up-to-date information. The printed information might be outdated.

Discharge 470W209289 Discharge kit 3"



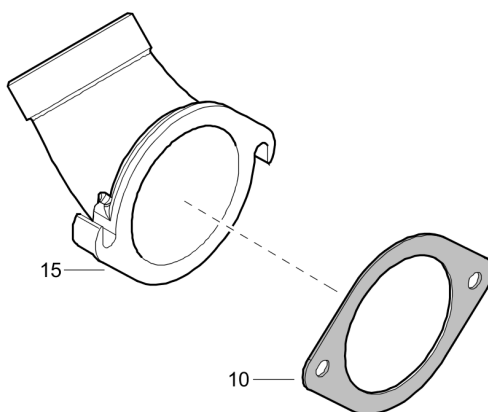
| Item | Part No. | Name | Qty | L |
|------|------------|---------------------------|-----|---|
| - | 470W203562 | Discharge kit 3" for hose | 1 | |
| 10 | 470W743466 | Gasket | 1 | |
| 15 | 470W202563 | Discharge for hose 3" | 1 | |
| 20 | 4700W58019 | Clamp | 2 | |

Discharge 470W203484 Discharge kit 3" BSP



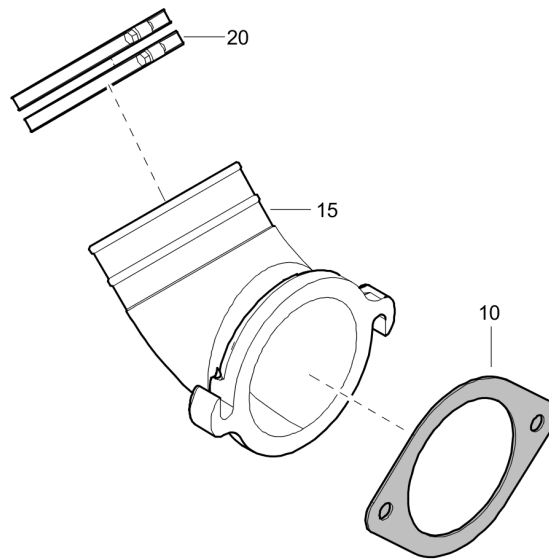
| Item | Part No. | Name | Qty | L |
|------|------------|---------------------|-----|---|
| - | 470W203484 | Discharge kit 3"BSP | 1 | |
| 10 | 470W743466 | Gasket | 1 | |
| 15 | 470W202483 | Discharge 3" BSP | 1 | |

Discharge 470W203570 Discharge kit 3" NPT



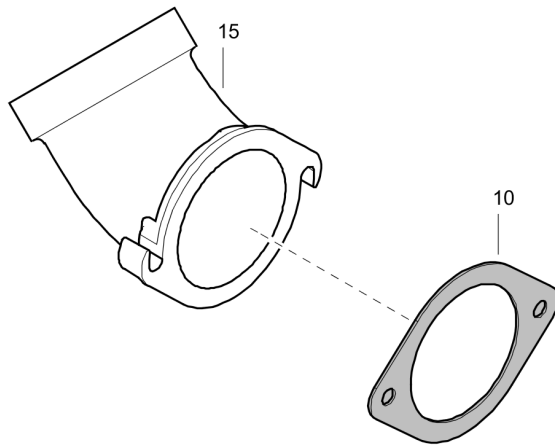
| Item | Part No. | Name | Qty | L |
|------|------------|----------------------|-----|---|
| - | 470W203570 | Discharge kit 3"NPT | 1 | |
| 10 | 470W743466 | Gasket | 1 | |
| 15 | 470W202571 | Discharge for hose 3 | 1 | |

Discharge 470W203564 Discharge kit 4" hose



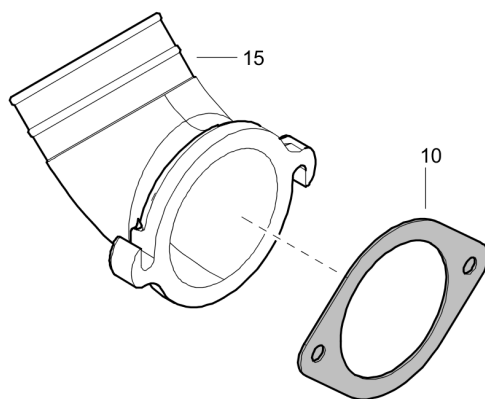
| Item | Part No. | Name | Qty | L |
|------|------------|---------------------------|-----|---|
| - | 470W203564 | Discharge kit 4" for hose | 1 | |
| 10 | 470W743466 | Gasket | 1 | |
| 15 | 470W202565 | Discharge for hose 4 | 1 | |
| 20 | 4700W58023 | Clamp | 2 | |

Discharge 470W203482 Discharge kit 4" BSP



| Item | Part No. | Name | Qty | L |
|------|------------|---------------------|-----|---|
| - | 470W203482 | Discharge kit 4"BSP | 1 | |
| 10 | 470W743466 | Gasket | 1 | |
| 15 | 470W202481 | Discharge | 1 | |

Discharge 470W203572 Discharge kit 4" NPT



| Item | Part No. | Name | Qty | L |
|------|------------|---------------------|-----|---|
| - | 470W203572 | Discharge kit 4"NPT | 1 | |
| 10 | 470W743466 | Gasket | 1 | |
| 15 | 470W202573 | Discharge | 1 | |