

Atlas Copco Instruction Manual



Instruction Manual
for Atlas Copco WEDA Dewatering Pump
English

WEDA 04
WEDA 08
WEDA 04B

Atlas Copco

**Instruction Manual
for Atlas Copco WEDA Dewatering Pump**

**WEDA 04
WEDA 08
WEDA 04B**

Original

Printed matter N°
9822 1593 00-0

09/2012

The Atlas Copco logo consists of the brand name 'Atlas Copco' in a stylized, italicized serif font. The text is centered between two thick, solid black horizontal bars. The top bar is positioned above the 'A' and the bottom bar is positioned below the 'o'.

Atlas Copco

ATLAS COPCO - PORTABLE ENERGY DIVISION
www.atlascopco.com

Warranty and Liability Limitation

Use only authorized parts.

Any damage or malfunction caused by the use of unauthorized parts is not covered by Warranty or Product Liability.

The manufacturer does not accept any liability for any damage arising from modifications, additions or conversions made without the manufacturer's approval in writing.

Neglecting maintenance or making changes to the setup of the machine can result in major hazards.

While every effort has been made to ensure that the information in this manual is correct, Atlas Copco does not assume responsibility for possible errors.

Copyright 2012, Atlas Copco Portable OEM Solutions
IRMER+ELZE KOMPRESSOREN GmbH, D-32547 Bad Oeynhausen, Germany.

Any unauthorized use or copying of the contents or any part thereof is prohibited.
This applies in particular to trademarks, model denominations, part numbers and drawings.

Preface

Please read the following instructions carefully before starting to use your pump.

It is a solid, safe and reliable machine, built according to the latest technology. Follow the instructions in this booklet.

Always keep the manual available near the machine.

In all correspondence always mention the pump type and serial number, shown on the data plate.

The company reserves the right to make changes without prior notice.

Table of contents

1	Safety precautions	7	5.4	Oil.....	12
1.1	Introduction	7	5.5	Impeller	12
1.2	Pictograms and symbols.....	7	5.6	Power cable	12
1.3	Safety during use and operation	7	5.7	Cable entry	12
1.4	Authorised personnel	8	6	Troubleshooting	13
1.5	Dangers when not following safety instructions.....	8	7	Technical details	14
1.6	Safety-conscious working method	8	7.1	Oil specification	15
1.7	Personal safety	8	7.2	Dimensions.....	15
1.8	Safety during maintenance	8	7.3	Wiring diagram	15
1.9	Electrical safety	8	8	Spare parts	17
1.10	Conversion and spare parts	8	8.1	Ordering spare parts	17
1.11	Unintended use.....	9	8.2	Spare parts WEDA 04.....	18
1.12	Dataplate	9	8.3	Spare parts WEDA 08.....	20
2	General description	10	8.4	Spare parts WEDA 04B	22
2.1	Housing and seal casing	10	8.5	Torque	24
2.2	Impeller	10	9	Warranty	25
2.3	Overload protection.....	10	10	Disposal	25
3	Main parts	10	10.1	General	25
4	Operating instructions	11	10.2	Disposal of materials.....	25
4.1	Transport.	11	10.3	Declaration of conformity.....	26
4.2	Starting	11			
4.3	Stopping	11			
5	Maintenance	12			
5.1	Preventive maintenance schedule	12			
5.2	External damage, loose parts.....	12			
5.3	Motor insulation resistance	12			

Safety precautions



To be read attentively and acted accordingly before operating, performing maintenance or repairing the unit.

INTRODUCTION

The policy of Atlas Copco is to provide the users of their equipment with safe, reliable and efficient products. Factors taken into account are among others:

- the intended and predictable future use of the products, and the environments in which they are expected to operate,
- applicable rules, codes and regulations,
- the expected useful product life, assuming proper service and maintenance,
- providing the manual with up-to-date information.

Before handling any product, take time to read the relevant instruction manual. Besides giving detailed operating instructions, it also gives specific information about safety, preventive maintenance, etc.

Keep the manual always at the unit location, easy accessible to the operating personnel.

These safety precautions are general and some statements will therefore not always apply to a particular unit.

Only people that have the right skills should be allowed to operate, adjust, perform maintenance or repair on Atlas Copco equipment.

It is the responsibility of management to appoint staff with the appropriate training and skill for each category of job.

Take the necessary steps to keep unauthorized persons away from the unit and eliminate all possible sources of danger at the unit.

When handling, operating, overhauling and/or performing maintenance or repair on Atlas Copco equipment, the mechanics are expected to use safe engineering practices and to observe all relevant local safety requirements and ordinances.

All responsibility for any damage or injury resulting from neglecting these precautions or by non-observance of ordinary caution and due care required in handling, operating, maintenance or repair, also if not expressly mentioned in this instruction manual, is disclaimed by Atlas Copco.

The manufacturer does not accept any liability for any damage arising from the use of non-original parts and for modifications, additions or conversions made without the manufacturer's approval in writing.

If any statement in this manual does not comply with local legislation, the stricter of the two shall be applied.

Statements in these safety precautions should not be interpreted as suggestions, recommendations or inducements that it should be used in violation of any applicable laws or regulations.

PICTOGRAMS AND SYMBOLS

This manual contains safety instructions that, when not observed, can lead to dangerous situations.



These safety instructions are indicated with a general pictogram indicating danger.



Safety instructions related to possible dangers when not observing the electrical safety instructions are indicated with this pictogram. Violating these safety instructions may result in death through electrocution.



This pictogram indicates safety instructions that can lead to damage to the pump when not observed.

All labels on the pump must be kept legible. Damaged labels have to be replaced.

SAFETY DURING USE AND OPERATION

This manual contains basic safety instructions that have to be observed during installation, use and maintenance. This manual is to be read by all operators/users before installing and operating the pump. It must be kept available to all operators/users at the operating site. Apart from the instructions in this chapter also the safety instructions mentioned in others sections of this manual must be observed.

AUTHORISED PERSONNEL

Only people that have the right skills should be allowed to operate, adjust, perform maintenance or repair on Atlas Copco equipment.

It is the responsibility of management to appoint operators with the appropriate training and skill for each category of job.

Skill level 1: Operator

An operator is trained in all aspects of operating the unit with the push-buttons, and is trained to know the safety aspects.

Skill level 2: Mechanical technician

A mechanical technician is trained to operate the unit the same as the operator. In addition, the mechanical technician is also trained to perform maintenance and repair, as described in the instruction manual, and is allowed to change settings of the control and safety system. A mechanical technician does not work on live electrical components.

Skill level 3: Electrical technician

An electrical technician is trained and has the same qualifications as both the operator and the mechanical technician. In addition, the electrical technician may carry out electrical repairs within the various enclosures of the unit. This includes work on live electrical components.

Skill level 4: Specialist from the manufacturer

This is a skilled specialist sent by the manufacturer or its agent to perform complex repairs or modifications to the equipment.

In general it is recommended that not more than two people operate the unit, more operators could lead to unsafe operating conditions.

DANGERS WHEN NOT FOLLOWING SAFETY INSTRUCTIONS

Not observing the safety instructions may lead to personal injury, damage to the equipment and environmental hazards. Not observing the safety instructions will void any warranty claim.

SAFETY-CONSCIOUS WORKING METHOD

All safety instructions in this manual as well as national accident preventing regulations and company-internal regulations regarding labour, operation and safety have to be observed.

PERSONAL SAFETY

Stay alert, watch what you are doing and use common sense when operating a pump. Do not use pumps while tired or under influence of drugs, alcohol or medication. A moment of inattention while operating pumps can result in serious personal injury.

Dress properly. Do not wear loose clothing or jewellery. Contain long hair. Keep your hair, clothing, and gloves away from moving parts. Loose clothes, jewellery, or long hair can be caught in moving parts.

Use approved safety equipment. Always wear eye protection, protective shoes and gloves.

SAFETY DURING MAINTENANCE

The owner is responsible for adequate training of the personnel maintaining the pumps. In principle all maintenance has to be performed on a non-energised pump. Observe the procedures as mentioned in the manual.

ELECTRICAL SAFETY

Pumps must be plugged into an outlet that is properly installed and grounded in accordance with all codes and ordinances. Never remove the grounding prong or modify the plug in any way. Do not use any adaptor plugs. Check with a qualified electrician if you are in doubt as to whether the outlet is properly grounded.

Do not abuse the power cable. Never use the power cable to carry the pumps or pull the plug from an outlet. Keep the power cable away from heat, oil, sharp edges or moving parts. Damaged power cables increase the risk of electric shock.

Use a network protected by a ground fault circuit interrupter.

CONVERSION AND SPARE PARTS

Conversions are only allowed after written consent of the manufacturer. Always use original spare parts. Unauthorised conversion and / or the use of non-original spare parts will void any warranty claims.

UNINTENDED USE

The reliability of the pump is only guaranteed when it is used according to the specifications in this manual. The limits as indicated are not to be exceeded under any circumstances.

Do not use the pump to transport water for human consumption, for water well pumping or for installation in an explosive atmosphere.

Caustic, slightly inflammable and other explosive substances such as petrol, petroleum, diluted nitrogen, greases, oils, salt water and waste water from toilets as well as sludgy water that has a slower flow capacity than water, should not be transported using the pump.

The temperature of the transported fluids should not exceed 35°C.

The appliance is not suitable for continuous pump operation or as a stationary installations (such as a lifting device, fountain pump).

DATAPLATE

Atlas Copco WEDA LINE		CE
1	Type	S/N
2	Manuf. year	kg
3	IP68	5m Tmax. 35°C
4	Cl. E	230 V 1~ 50 Hz
5	A P ₁	kW P ₂ kW
6	Qmax	L/MIN Hmax m
Atlas Copco Portable OEM Solutions Imer+Elze Kompressoren GmbH D-32547 Bad Oeynhausen Made in Japan		
13	14	15 16

Reference	Name
1	Pump Type
2	Production Date
3	Protection Class
4	Motor Insulation Class
5	Rated Current
6	Max. Flow
7	Serial Number
8	Weight
9	Max. Fluid Temperature
10	Frequency
11	Rated Power Output
12	Max. Head
13	Rated Voltage
14	Max. Submersed Depth
15	Rated Power Input
16	Phases

General description

WEDA dewatering pumps are electrical submersible pumps for dewatering applications in construction sites, industry, mining, tanks, pools etc. The range consists of several dewatering pumps, all designed for tough pumping in demanding applications. The compact design and light weight make the pumps very versatile and easy to install.

The design with outer jacket for cooling and motor protector keeps the pump running safely under various conditions. The triple shaft seal assures a long life time and the semi vortex wet end minimizes maintenance.

Features:

- Dry running capability. Motor protector.
- Plug and pump. Built-in high torque capacitor.
- Double mechanical shaft seals in silicon carbide.
- Additional lip seal for extended life time of the primary seal.

WEDA 04 and 08 are compact versatile dewatering pumps for various pumping needs. The polyurethane semi vortex impeller is designed to handle the water in construction sites, manholes and industrial pits etc. with very low risk of clogging.

WEDA 04B, is a residual water pump that pumps all the way down to 1 mm. The rubber covered bottom plate avoids scratches or damage to tank or pool bottoms. The 25 mm outlet comes with a one-touch non-return valve, allowing to lift and move the pump without spilling or losing suction. The pump must be installed on a smooth surface.

By changing the outlet to a 50 mm outlet, the pump can be used as a regular dewatering pump.

Suitable for emptying pools, tanks etc. and cleaning up after flooding where no pump sumps are available.

HOUSING AND SEAL CASING

The housing is made of steel and the seal casing is made of die cast aluminium.

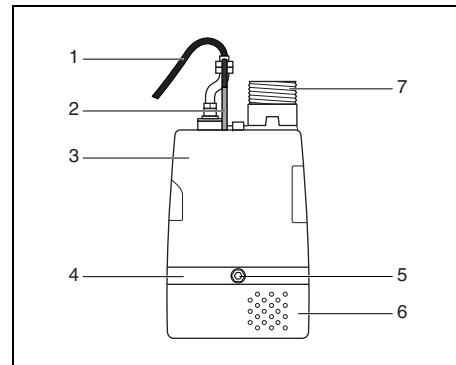
IMPELLER

The WEDA 04 and 08 pumps are equipped with a polyurethane semi vortex impeller.

OVERLOAD PROTECTION

The pump is supplied with an automatically resetting overload protection.

Main parts



Reference	Name
1	Power cable
2	Handle
3	Outer casing
4	Seal casing
5	Oil plug
6	Strainer and pump casing
7	Hose coupling (threaded or smooth)

Operating instructions

TRANSPORT



Always use the handle to lift the pump. Never use the power cable to lift or transport the pump. Always be careful not to let it fall or bump it against the wall or other equipment.

STARTING



The pump may not be used in an explosive / inflammable environment or used to pump inflammable liquids!



If the pump is being used for pumping water out of a swimming pool:

- **nobody is allowed to be in the pool during pumping,**
- **the pump must be connected via a residual current device having a rated residual operating current not exceeding 30 mA.**

Check the power cable with mains plug for damage before every use. If the power cable is damaged, exchange it immediately.

Check whether the power supply matches the rating on the **Dataplate**.

Check whether the fluid to be pumped matches the characteristics mentioned in section **Technical details**.



Never operate the pump without the strainer.

Attach a suitable hose to the outlet and make sure it is thoroughly tightened. Avoid making excessive bends in delivery hoses or piping, as this may cause reduced flow.

Run the electric cable so that sharp bends are avoided and there is no danger of the cable being pinched or otherwise being damaged.

Take care that the pump is submerged before putting the plug in the socket. Never install the pump directly on a weak soil layer or muddy ground. The pump may sink and mud/soil may enter the pump and reduce the flow. Check that the pump is pumping.

In case the motor stops due to overload or a blocked impeller, first pull the plug out of the socket before removing the pump from the pump site to check for why the pump has stopped. Remove the blockage, let the pump cool down and resume pumping.

STOPPING

Take the plug out of the socket and take the pump out of the pump site. If the pump has been operating in dirty water, allow it to run in clean water for a short period or flush clean water through the discharge port. If clay, cement or other sticky dirt remain in the pump this may clog the impeller and seal area.

Maintenance

PREVENTIVE MAINTENANCE SCHEDULE

Item (refer to separate paragraphs)	Every month	Every 3 months	Every 6 months
External damage, loose parts	Check		
Motor insulation resistance	Measure		
Oil		Check	Change
Impeller	Check		
Power cable	Check		
Cable entry	Check		

EXTERNAL DAMAGE, LOOSE PARTS

Make sure that all screws, bolts and nuts are tight. Check the condition of the pump lifting handle and replace if damaged or worn. Replace any external part that appears worn or damaged.

MOTOR INSULATION RESISTANCE

Use a 500 V DC Megger and measure the insulation between the phases and between any phase and ground. Resistance values should be over 1 M ohm. If abnormal readings are obtained, immediately hand the pump in for repair.

Also observe any local requirement regulations. The stricter one will prevail.

OIL

Check the condition of the oil to see if any water leakage has occurred. Remove the oil plug. Take an oil sample using a pipette. Check for impurities and emulsification. (Oil must be clear.) If water intrusion has occurred, check the seal and replace if necessary. Refill the seal chamber with fresh oil. Refer to section **Technical details** for type and quantity of oil.

IMPELLER

Inspect the impeller by removing the strainer and pump casing. Replace the impeller if it is damaged or severely worn.

POWER CABLE

Inspect the cable for cuts, scrapes or sharp bends. If the outer jacket is damaged, replace the cable. Do not make splices within wet wells.

CABLE ENTRY

Make sure that the cable entry flange and strain relief clamp are tight. If the cable entry is showing signs of leakage replace the cable.

Troubleshooting

Problem	Cause	Action
Pump will not run	<ol style="list-style-type: none"> 1. Fuse blown or circuit breaker tripped 2. Broken cable 3. Power failure 4. Impeller jammed 5. Stator winding burnt-out 	<ol style="list-style-type: none"> 1. Replace fuse or reset circuit breaker 2. Replace cable 3. Restore power supply 4. Clean impeller 5. Replace pump
Pump starts and stops	<ol style="list-style-type: none"> 1. Strainer blocked 2. Insufficient water level 3. Voltage too low when using an extra cable 4. Water too hot 	<ol style="list-style-type: none"> 1. Clean strainer 2. Raise water level 3. Use a cable with larger section 4. Let the water cool down
Pump's capacity is too low	<ol style="list-style-type: none"> 1. Delivery hose is squeezed 2. Total pumping head is too high 3. Strainer is blocked 4. Impeller is worn 	<ol style="list-style-type: none"> 1. Straighten delivery hose 2. Review pumping situation 3. Clean strainer 4. Replace impeller

Technical details

	Unit	WEDA04	WEDA08	WEDA04B
Discharge, smooth and threaded BSP	inch	2"	2"	1"(opt2")
Motor rating	W	400	750	400
Rated	A	2.8	5.8	2.8
Max power consumption	W	650	1200	650
Max Flow	l/m	250	325	140
	m ³ /hr	15	19.5	8.4
Head	m	11.3	15.2	12
Weight	kg	9	12.4	9.5
Max solids handling	mm	7.5	7.5	4.5
Cable length	m	10	10	10
Max submersed depth	m	5	5	5
Impeller type		semi vortex	semi vortex	semi vortex
Impeller material		polyurethan	polyurethan	polyurethan
Shaft seals		silicon carbide	silicon carbide	silicon carbide
Motor protection		thermal protection	thermal protection	thermal protection
Motor insulation class		E	E	E
pH range		6.5 - 8	6.5 - 8	6.5 - 8
Max fluid temperature	°C	35	35	35



The pump is designed to pump water that meets the specifications in the table above.

The pump is not to be used in explosive or inflammable environments or for pumping flammable liquids.

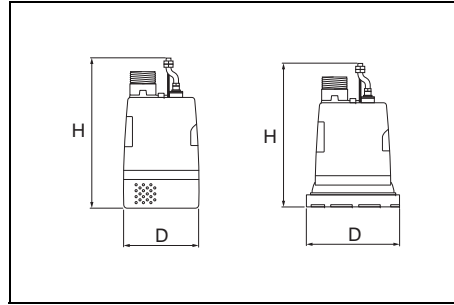
OIL SPECIFICATION

Oil type: Turbine oil #32 (32 cSt / 40 °C)

Oil capacity: 0,15 liter

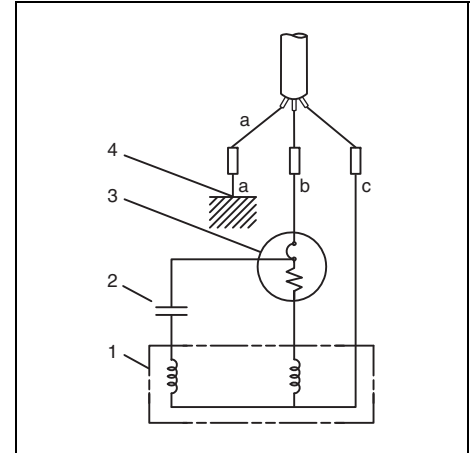
Atlas Copco ordernumber: 1605 2255 00 (0,5 L)

DIMENSIONS



	H (mm)	D (mm)
WEDA 04	340	182
WEDA 08	358	183
WEDA 04B	325	220

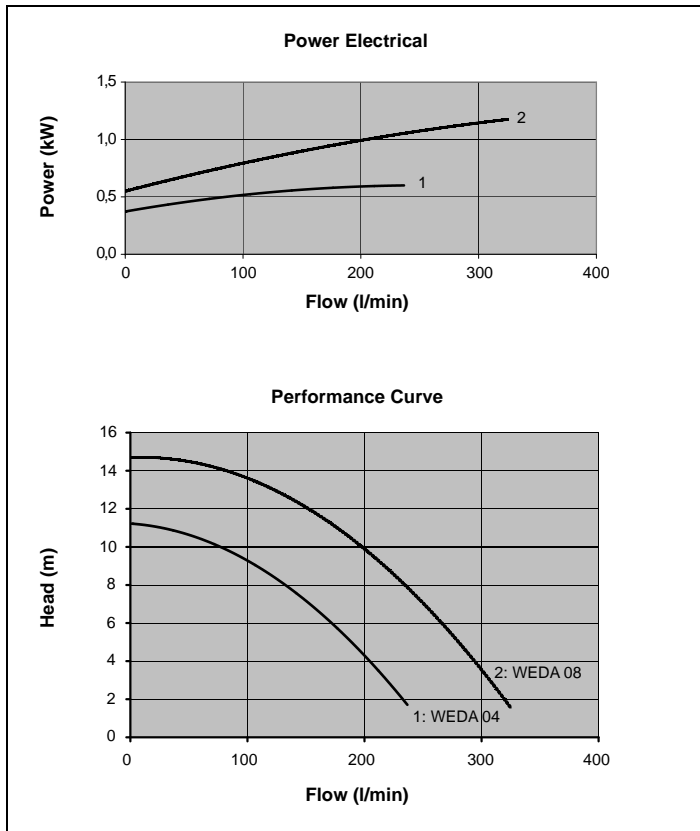
WIRING DIAGRAM



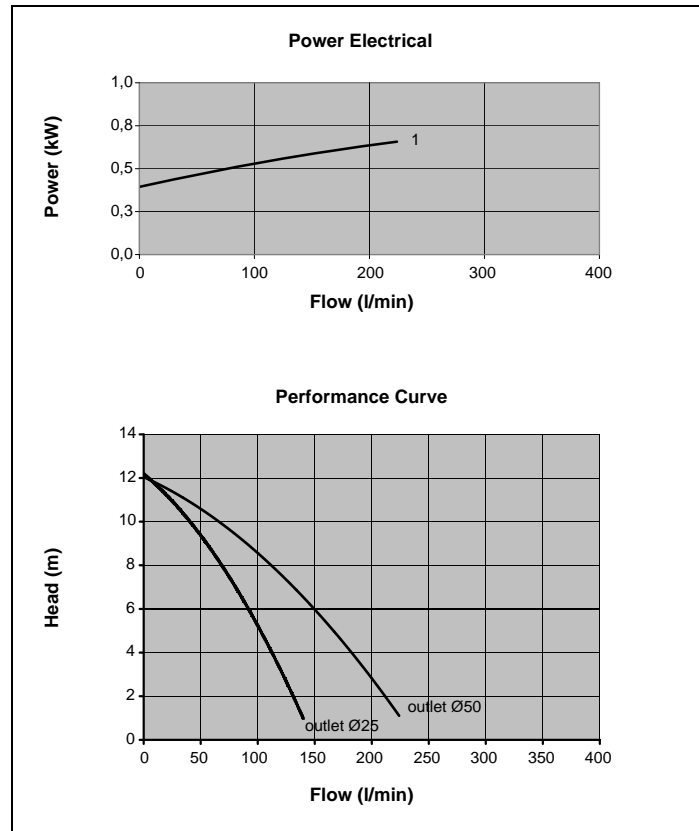
Reference	Name
1	Stator
2	Capacitor
3	Motor Protector
4	Ground

Color code
a = green/yellow
b = red
c = white

FLOW CHARACTERISTICS



WEDA 04 - 08



WEDA 04B

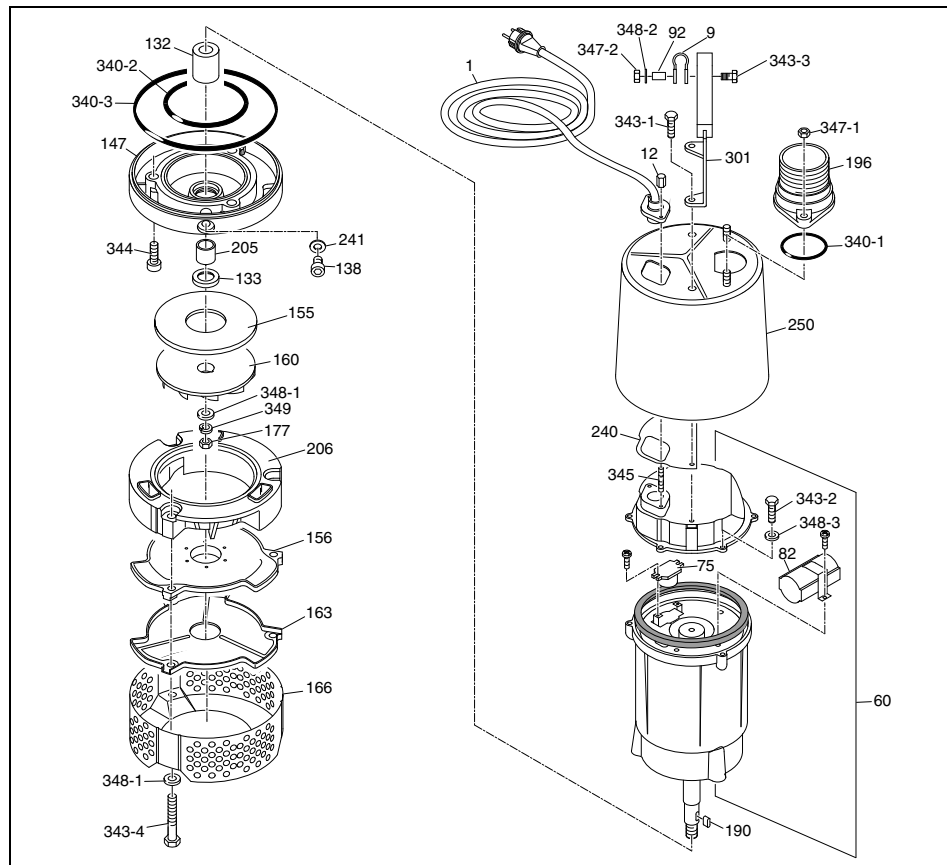
Spare parts

ORDERING SPARE PARTS

To avoid errors in delivery, please give the following information when ordering spare parts:

1. Pump type
2. Pump serial number
3. Quantity required
4. Part number
5. Part description

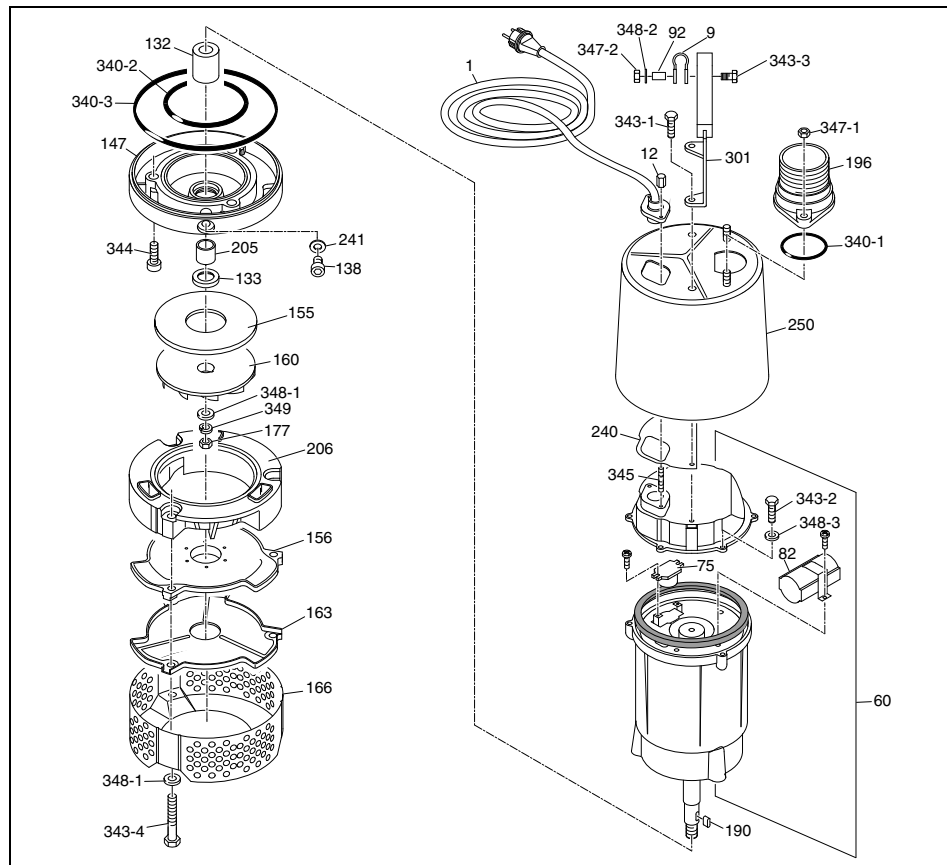
SPARE PARTS WEDA 04



Ref No.	Parts Name	Parts No.	Quantity WEDA 04
1	Power Cable	1605241600	1
9	Cable Band	1605241700	1
12	Cable Nut	1605241800	2
60	Motor Assy	N/A	1
75	Motor Protector	1605242100	1
82	Capacitor	1605242300	1
92	Spacer	1605242400	1
132	Shaft Seal	1605242500	1
133	Oil Seal	1605242600	1
138	Oil Plug	1605242700	1
147	Seal Bracket	1605242850	1
155	Rear Cover	1605242900	1
156	Suction Plate	1605243000	1
160	Impeller	1605243100	1
163	Suction Cover	1605243300	1
166	Strainer	1605243400	1
177	Impeller Nut	1605243500	1
190	Parallel key	1605243600	1
196	Delivery Coupling	1605243700	1
	Hose Coupling	1605243750	1
205	Sleeve	1605243800	1

Ref No.	Parts Name	Parts No.	Quantity WEDA 04
206	Pump Casing	1605243900	1
240	Packing	1605244000	1
241	Gasket	1605244100	1
250	Casing	1605244200	1
301	Handle	1605244400	1
340-1	O-Ring	1605244500	1
340-2		1605244600	1
340-3		1605244700	1
343-1	Bolt	0147 1325 02	2
343-2		0147 1247 02	3
343-3		0147 1208 03	1
343-4		0147 1332 02	3
344	Cap Bolt	0211 1959 23	3
345	Stud	N/A	2
347-1	Nut	4700W84209	2
347-2		4700W84206	1
348-1	Washer	4700W51168	4
348-2		0301 2118 01	1
348-3		4700W51163	3
349	Spring Washer	4700W58959	1

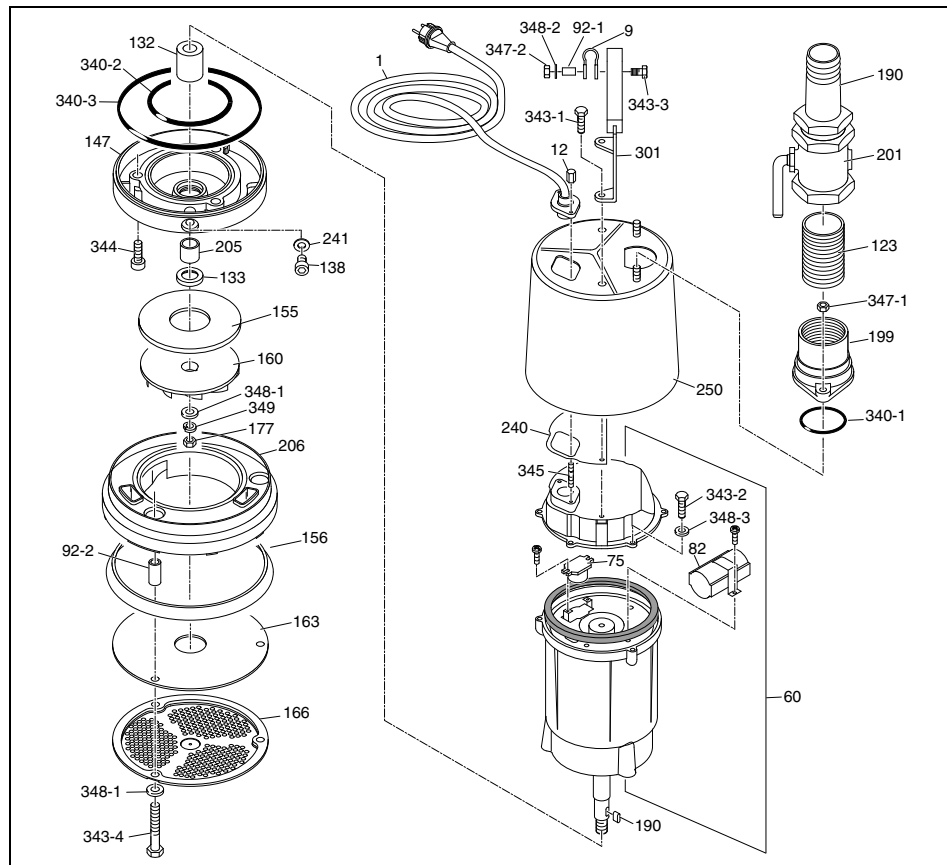
SPARE PARTS WEDA 08



Ref No.	Parts Name	Parts No.	Quantity WEDA 08
1	Power Cable	1605241600	1
9	Cable Band	1605241700	1
12	Cable Nut	1605241800	2
60	Motor Assy	N/A	1
75	Motor Protector	1605242200	1
82	Capacitor	1605242300	1
92	Spacer	1605242400	1
132	Shaft Seal	1605242500	1
133	Oil Seal	1605242600	1
138	Oil Plug	1605242700	1
147	Seal Bracket	1605242850	1
155	Rear Cover	1605242900	1
156	Suction Plate	1605243000	1
160	Impeller	1605243200	1
163	Suction Cover	1605243300	1
166	Strainer	1605243400	1
177	Impeller Nut	1605243500	1
190	Parallel key	1605243600	1
196	Delivery Coupling	1605243700	1
	Hose Coupling	1605243750	1
205	Sleeve	1605243800	1

Ref No.	Parts Name	Parts No.	Quantity WEDA 08
206	Pump Casing	1605243900	1
240	Packing	1605244000	1
241	Gasket	1605244100	1
250	Casing	1605244300	1
301	Handle	1605244400	1
340-1	O-Ring	1605244500	1
340-2		1605244600	1
340-3		1605244700	1
343-1	Bolt	0147 1325 02	2
343-2		0147 1247 02	3
343-3		0147 1208 03	1
343-4		0147 1332 02	3
344	Cap Bolt	0211 1959 23	3
345	Stud	N/A	2
347-1	Nut	4700W84209	2
347-2		4700W84206	1
348-1	Washer	4700W51168	4
348-2		0301 2118 01	1
348-3		4700W51163	3
349	Spring Washer	4700W58959	1

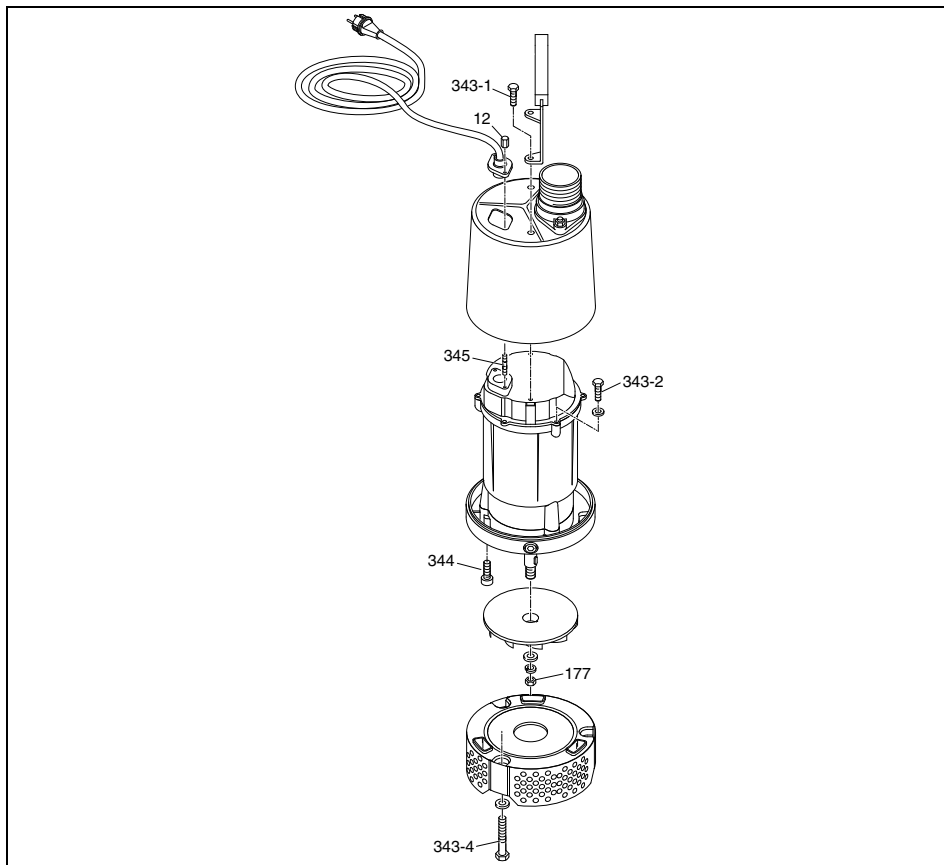
SPARE PARTS WEDA 04B



Ref No.	Parts Name	Parts No.	Quantity WEDA 04B
1	Power Cable	1605241600	1
9	Cable Band	1605241700	1
12	Cable Nut	1605241800	2
60	Motor Assy	N/A	1
75	Motor Protector	1605242100	1
82	Capacitor	1605242300	1
92-1	Spacer	1605242400	1
92-2	Spacer	1605244800	3
123	Nipple	1605246500	1
132	Shaft Seal	1605242500	1
133	Oil Seal	1605242600	1
138	Oil Plug	1605242700	1
147	Seal Bracket	1605242850	1
155	Rear Cover	1605242900	1
156	Suction Skirt	1605245000	1
160	Impeller	1605243100	1
163	Suction Plate	1605245100	1
166	Strainer	1605245200	1
177	Impeller Nut	1605243500	1
190	Parallel key	1605243600	1
196	Hose Coupling	1605243775	1
199	Flange	1605246400	1

Ref No.	Parts Name	Parts No.	Quantity WEDA 04B
201	Ball valve	1605246600	1
205	Sleeve	1605243800	1
206	Pump Casing	1605243950	1
240	Packing	1605244000	1
241	Gasket	1605244100	1
250	Casing	1605244200	1
301	Handle	1605244400	1
340-1		1605244500	1
340-2	O-Ring	1605244600	1
340-3		1605244700	1
343-1		0147 1325 02	2
343-2	Bolt	0147 1247 02	3
343-3		0147 1208 03	1
343-4		0147 1329 02	3
344		Cap Bolt	0211 1959 23
345	Stud	N/A	2
347-1	Nut	0266 1107 02	2
347-2		0261 1091 02	1
348-1	Washer	0300 0274 49	1
348-2		0301 2118 01	1
348-3		0301 2121 01	3
349	Spring Washer	0333 2174 24	1

TORQUE



Part	Torque Nm
12	3.4 - 3.9
177	9.8 - 11.8
343-1	9.8 - 11.8
343-2	3.9 - 5.9
343-4	9.8 - 11.8
344	3.9 - 5.9
345	3.4 - 3.9

Warranty

The warranty terms published by the relevant Atlas Copco Customer Center or authorized dealers are applicable in each country. We will repair potential failures of your pumps within the warranty period free of charge, provided that such failure is caused by faulty material or defects in manufacturing.

In the event of a warranty claim please contact your local dealer or the nearest authorized Atlas Copco Customer Service Center.

Disposal

GENERAL

When developing products and services, Atlas Copco tries to understand, address, and minimize the negative environmental effects that the products and services may have, when being manufactured, distributed, used and disposed.

Recycling and disposal policies are part of the development of all Atlas Copco products. Atlas Copco company standards determine strict requirements.

Material selection, substantial recyclability, disassembly possibilities and separability of materials and assemblies are considered, as well as environmental perils and dangers to health during the recycling and disposal of the unavoidable rates of non-recyclable materials.

Your Atlas Copco pump consists mostly of metallic materials, that can be remelted in steel and melting works and are therefore almost infinitely recyclable.

DISPOSAL OF MATERIALS

Dispose of contaminated substances and material separately, in accordance with locally applicable environmental legislation.

Before dismantling a machine at the end of its operating lifetime drain and dispose of all fluids of according the applicable local disposal regulations.

Separate the machine into metal, wiring, hoses, insulation and plastic parts.

Dispose of all components in accordance with applicable disposal regulations.

Remove spilled fluid mechanically; pick up the rest using an absorbing agent (for example sand, sawdust) and dispose of it in accordance with local disposal regulations. Do not drain into the sewage system or surface water.



This concept can only succeed with your help. Support us by disposing professionally. By assuring correct disposal of the product you help prevent possible negative consequences for environment and health as a result of inappropriate waste handling.

Recycling and re-usage of material help preserve natural resources.

DECLARATION OF CONFORMITY

Atlas Copco

EC DECLARATION OF CONFORMITY

- 1 We, IRMER+ELZE Kompressoren GmbH, declare under our sole responsibility, that the product
 2 Machine name: portable submersible desludging pump
 3 Machine type: WEDA 04, WEDA 08, WEDA 04B, WEDA 08S
 4 Serial number:

- 5 Which falls under the provisions of article 12.2 of the EC Directive 2006/42/EC on the approximation of the laws of the Member States relating to machinery, is in conformity with the relevant Essential Health and Safety Requirements of this directive.

The machinery complies also with the requirements of the following directives and their amendments as indicated.

Directive on the approximation of laws of the Member States relating to		Harmonized and/or Technical Standards used	Att'mnt
6 Machinery safety	2006/42/EC	EN ISO 12100:2011 EN ISO 60335-1:2012 EN ISO 60335-2-41:2010 EN ISO 809:2009	

- 7 The harmonized and the technical standards used are identified in the attachments hereafter

- 8 IRMER+ELZE Kompressoren GmbH is authorized to compile the technical file.

9	Conformity of the specification to the directives	Conformity of the product to the specification and by implication to the directives
10	Engineering	Manufacturing
11	Name	
12	Signature	
13	Date	

Atlas Copco Portable OEM Solutions

IRMER+ELZE Kompressoren GmbH

Part of the Atlas Copco Group

Visitors address
 Mindener Strasse 29
 D-32547 Bad Oeynhausen
 Germany

Phone: +49 (0)5731 1801-0
 Fax: +49 (0)5731 1801-66
 Email: info@atlascopco.com

Geschäftsführer:
 Kai Altvater
 Ust.-Id.-Nr. DE 154065482
 Amtsgericht Bad Oeynhausen
 HR B 2642

www.atlascopco.com

For info, please contact your local Atlas Copco representative

p.1/17

Form 08/2010/08-20
 and 00_2012/08-20

